

### ROTARY POTENTIOMETER

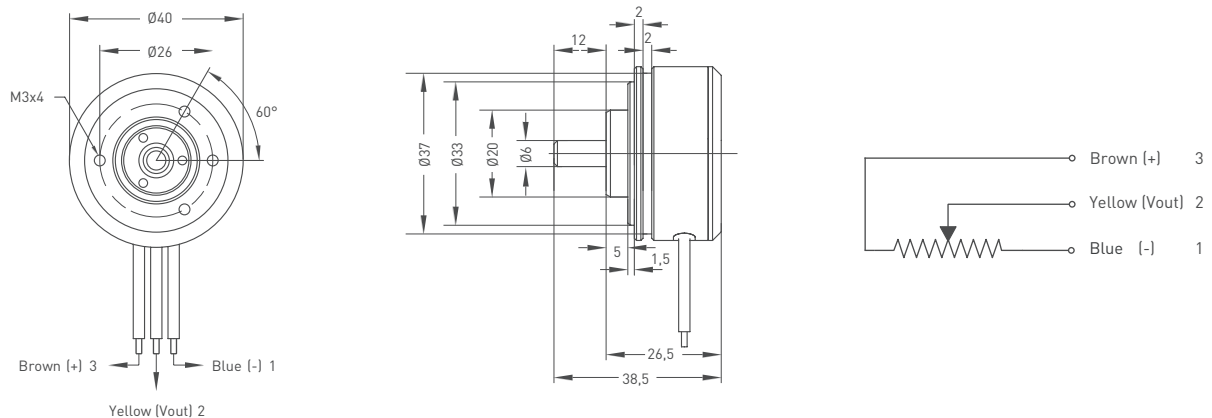
- Measuring angle  $345^\circ \pm 2^\circ$
- 50 million movements
- Double bearings
- %0,5 linearity
- 2K, 5K or 10K



#### Technical Specifications

Measurement angle	$345^\circ \pm 2^\circ$
Linearity	%0,5
Resolution	Infinite
Resistance	2 k0hm, 5 k0hm or 10 k0hm
Resistance tolerance	$\pm \%20$
Load resistance	100 k0hm min.
Recommended cursor current	$< 1 \mu\text{A}$
Power supply	28 VDC max.
Electrical connections	Cable output
Mechanical life	50 million movement
Case dimensions	$\varnothing 40 \text{ mm}$
Case material	RTP : Plastic , RTPM : Aluminium
Rod material	Stainless steel
Rod diameter	$\varnothing 6 \text{ mm}$
Protection level	IP 54
Operating temperature	$-20^\circ\text{C} \dots +80^\circ\text{C}$
Storage temperature	$-30^\circ\text{C} \dots +90^\circ\text{C}$

#### Mechanical Specifications



#### Ordering Procedure

Model	Case Diameter	Rod diameter	Linearity (%)	Resistane (k0hm)	Connector / Cable
RTPM	40	R6	A	5K	0M15
RTP: Plastic case RTPM: Aluminium case	40	R6: 6 mm	A: %0,5	2K : 2 k0hm 5K : 5 k0hm 10K : 10 k0hm	0M15: 15 cm kablo