

KLIXON® | Military Qualified 10AT Series

Snap Action Precision Position Switches

FEATURES

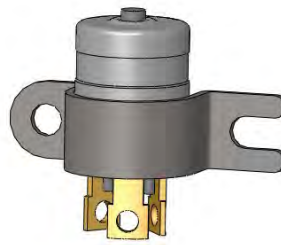
- Stainless steel, hermetic seal construction
- Rated up to 4 amps, 30VDC
- MIL-PRF-8805 qualified
- Various mounting configurations for custom applications
- Excellent shock and vibration resistance
- Distributor stock available

INTRODUCTION

The Klixon® 10AT series are hermetic position switches ideal for extremely harsh and demanding environments as found in aircraft, military, aerospace, and aircraft engines applications. Klixon precision hermetic position switches have been used for over 40 years in a wide range of applications, and can be found on virtually all commercial and military aircraft, as well as various space vehicles and satellites worldwide.

SPECIFICATIONS	
Current Rating, Resistance	4 amps, 28VDC
Current Rating, Inductive	1 amp, 28VDC
Current Rating, Lamp	2 amps, 28VDC
Dielectric Strength	1050 volts (RMS) Terminal to Case 800 volts (RMS) Terminal to Terminal
Life Cycles	25,000 cycles @ rated load, mechanical life of 100,000 cycles
Ambient Temperature Range	-85°F to +275°F (-65°C to +135°C)
Seal	Hermetic per MIL-PRF-8805, design enclosure 5
Max Leak Rate	1x10 ⁻⁸ C.C. std. HE/sec @ 1 ATM differential
Voltage Drop at 1 amp	0.040 volts max
Insulation	100 megaohms min
Vibration Resistance	65G, 10-2000Hz, .5 DA or 65 G RMS
Shock Resistance	200 G, 6 ms sawtooth

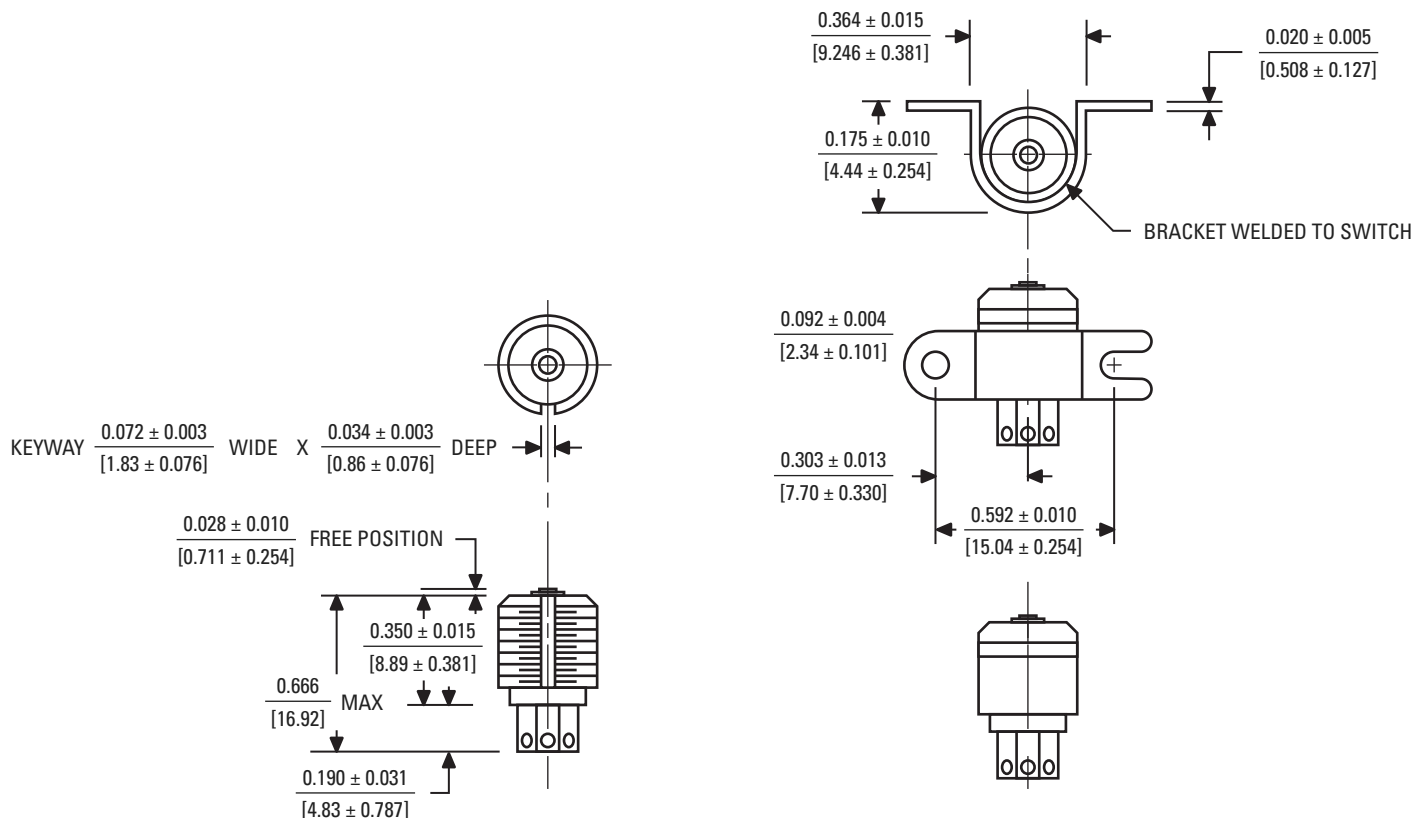




MIL-S-8805 CROSS REFERENCE CHART (SPDT)

Mil Spec	Sensata PN	Plunger Type	Wire Leads	Threaded Mount	Actuating Force	Movement Differential	Pretravel	Overtravel	Release Force
M8805/68-022	10AT117-01	Flat	No Wires	None	30 oz max	0.005" max	0.009" max	0.002" min	4 oz min
M8805/68-023	10AT17-01	Flat	No Wires	7/16-32NS-2A	30 oz max	0.005" max	0.009" max	0.002" min	4 oz min
M8805/68-024	10AT17-02-10	Flat	Parallel	7/16-32NS-2A	30 oz max	0.005" max	0.009" max	0.002" min	4 oz min
M8805/68-025	10AT17-03-10	Flat	90° Angle	7/16-32NS-2A	30 oz max	0.005" max	0.009" max	0.002" min	4 oz min
M8805/68-026	10AT15-01	Flat	No Wires	Bracket Mount	30 oz max	0.005" max	0.009" max	0.002" min	4 oz min
M8805/68-027	10AT15-02-10	Flat	Parallel	Bracket Mount	30 oz max	0.005" max	0.009" max	0.002" min	4 oz min
M8805/68-028	10AT15-03-10	Flat	90° Angle	Bracket Mount	30 oz max	0.005" max	0.009" max	0.002" min	4 oz min

DIMENSIONAL DRAWINGS – Threaded Mount (10AT17-01), Basic Switch (10AT117-01), Bracket Mount (10AT15-01), Flat Plunger

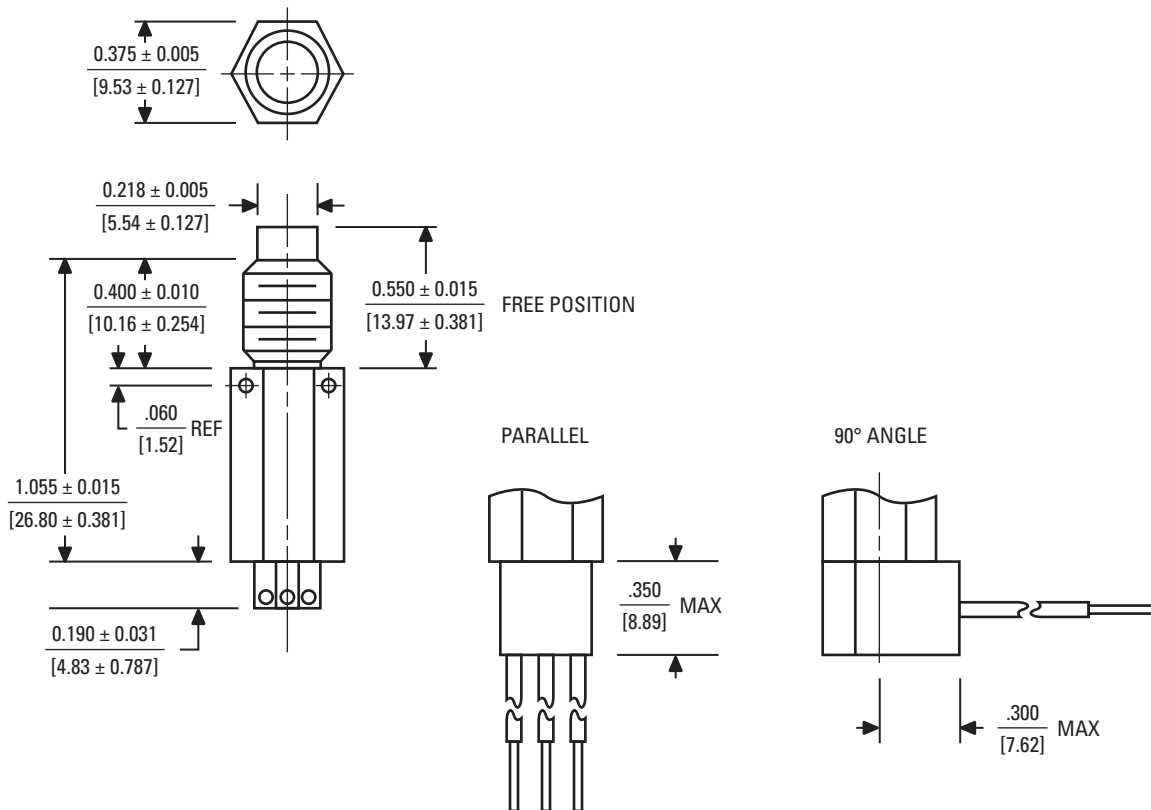


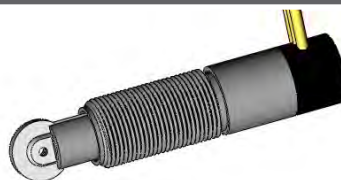


MIL-S-8805 CROSS REFERENCE CHART (SPDT)

Mil Spec	Sensata PN	Plunger Type	Wire Leads	Threaded Mount	Actuating Force	Movement Differential	Pretravel	Overtravel	Release Force
M8805/72-033	10AT363-02-10	Flat	Parallel	5/16-24UNF-2A	30 oz max	0.005" max	0.010" max	0.125" min	4 oz min
M8805/72-034	10AT361-02-10	Flat	Parallel	5/16-24UNF-2A Short	30 oz max	0.005" max	0.010" max	0.125" min	4 oz min
M8805/72-035	10AT363-03-10	Flat	90° Angle	5/16-24UNF-2A	30 oz max	0.005" max	0.010" max	0.125" min	4 oz min
M8805/72-036	10AT361-03-10	Flat	90° Angle	5/16-24UNF-2A Short	30 oz max	0.005" max	0.010" max	0.125" min	4 oz min
M8805/72-037	10AT364-02-10	Spherical	Parallel	5/16-24UNF-2A	30 oz max	0.005" max	0.010" max	0.125" min	4 oz min
M8805/72-038	10AT362-02-10	Spherical	Parallel	5/16-24UNF-2A Short	30 oz max	0.005" max	0.010" max	0.125" min	4 oz min
M8805/72-039	10AT364-03-10	Spherical	90° Angle	5/16-24UNF-2A	30 oz max	0.005" max	0.010" max	0.125" min	4 oz min
M8805/72-040	10AT362-03-10	Spherical	90° Angle	5/16-24UNF-2A Short	30 oz max	0.005" max	0.010" max	0.125" min	4 oz min
M8805/73-013	10AT7-02-10	Flat	Parallel	3/8-32 NEF-2A	104 oz max	0.010" max	0.020" max	0.125" min	24 oz min
M8805/73-014	10AT7-03-10	Flat	90° Angle	3/8-32 NEF-2A	104 oz max	0.010" max	0.020" max	0.125" min	24 oz min
M8805/73-015	10AT76-02-10	Spherical	Parallel	3/8-32 NEF-2A	104 oz max	0.010" max	0.020" max	0.125" min	24 oz min
M8805/73-016	10AT76-03-10	Spherical	90° Angle	3/8-32 NEF-2A	104 oz max	0.010" max	0.020" max	0.125" min	24 oz min

DIMENSIONAL DRAWINGS – Threaded Mount, Flat Plunger, Hex Body Configuration (10AT363-01, 10AT363-02, 10AT363-03)

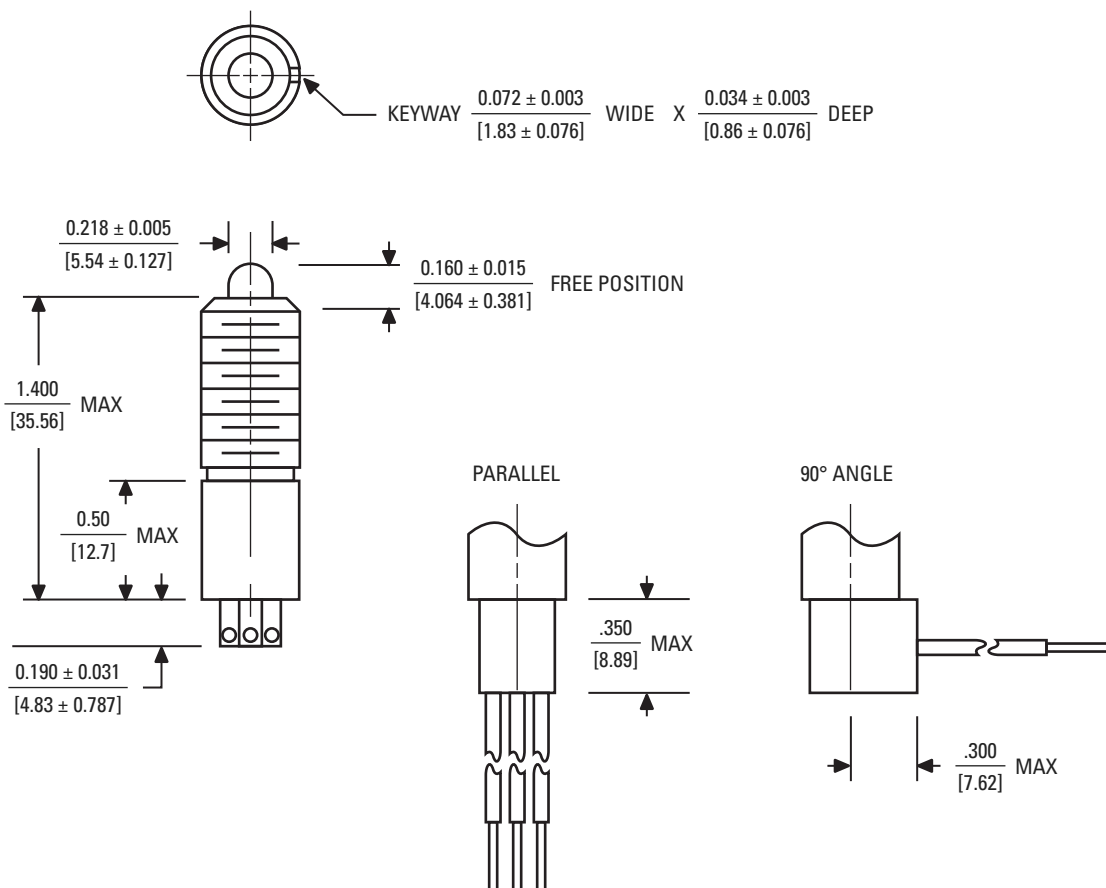




MIL-S-8805 CROSS REFERENCE CHART (SPDT)

Mil Spec	Sensata PN	Plunger Type	Wire Leads	Threaded Mount	Actuating Force	Movement Differential	Pretravel	Overtravel	Release Force
M8805/74-035	10AT366-02-10	Flat	Parallel	15/32-32NS-2A	30 oz max	0.005" max	0.010" max	0.125" min	4 oz min
M8805/74-036	10AT368-02-10	Roller	Parallel	15/32-32NS-2A	30 oz max	0.005" max	0.010" max	0.125" min	4 oz min
M8805/74-037	10AT366-03-10	Flat	90° Angle	15/32-32NS-2A	30 oz max	0.005" max	0.010" max	0.125" min	4 oz min
M8805/74-038	10AT368-03-10	Roller	90° Angle	15/32-32NS-2A	30 oz max	0.005" max	0.010" max	0.125" min	4 oz min
M8805/74-039	10AT369-02-10	Flat, O-Ring	Parallel	15/32-32NS-2A	112 oz max	0.005" max	0.020" max	0.125" min	24 oz min
M8805/74-040	10AT371-02-10	Roller, O-Ring	Parallel	15/32-32NS-2A	112 oz max	0.005" max	0.020" max	0.125" min	24 oz min
M8805/74-041	10AT369-03-10	Flat, O-Ring	90° Angle	15/32-32NS-2A	112 oz max	0.005" max	0.020" max	0.125" min	24 oz min
M8805/74-042	10AT371-03-10	Roller, O-Ring	90° Angle	15/32-32NS-2A	112 oz max	0.005" max	0.020" max	0.125" min	24 oz min
M8805/74-043	10AT367-02-10	Spherical	Parallel	15/32-32NS-2A	30 oz max	0.005" max	0.010" max	0.125" min	4 oz min
M8805/74-044	10AT367-03-10	Spherical	90° Angle	15/32-32NS-2A	30 oz max	0.005" max	0.010" max	0.125" min	4 oz min
M8805/74-045	10AT370-02-10	Spherical, O-Ring	Parallel	15/32-32NS-2A	112 oz max	0.005" max	0.020" max	0.125" min	24 oz min
M8805/74-046	10AT370-03-10	Spherical, O-Ring	90° Angle	15/32-32NS-2A	112 oz max	0.005" max	0.020" max	0.125" min	24 oz min

DIMENSIONAL DRAWINGS – Threaded Mount, Spherical Plunger Configuration (10AT367-01, 10AT367-02, 10AT367-03)

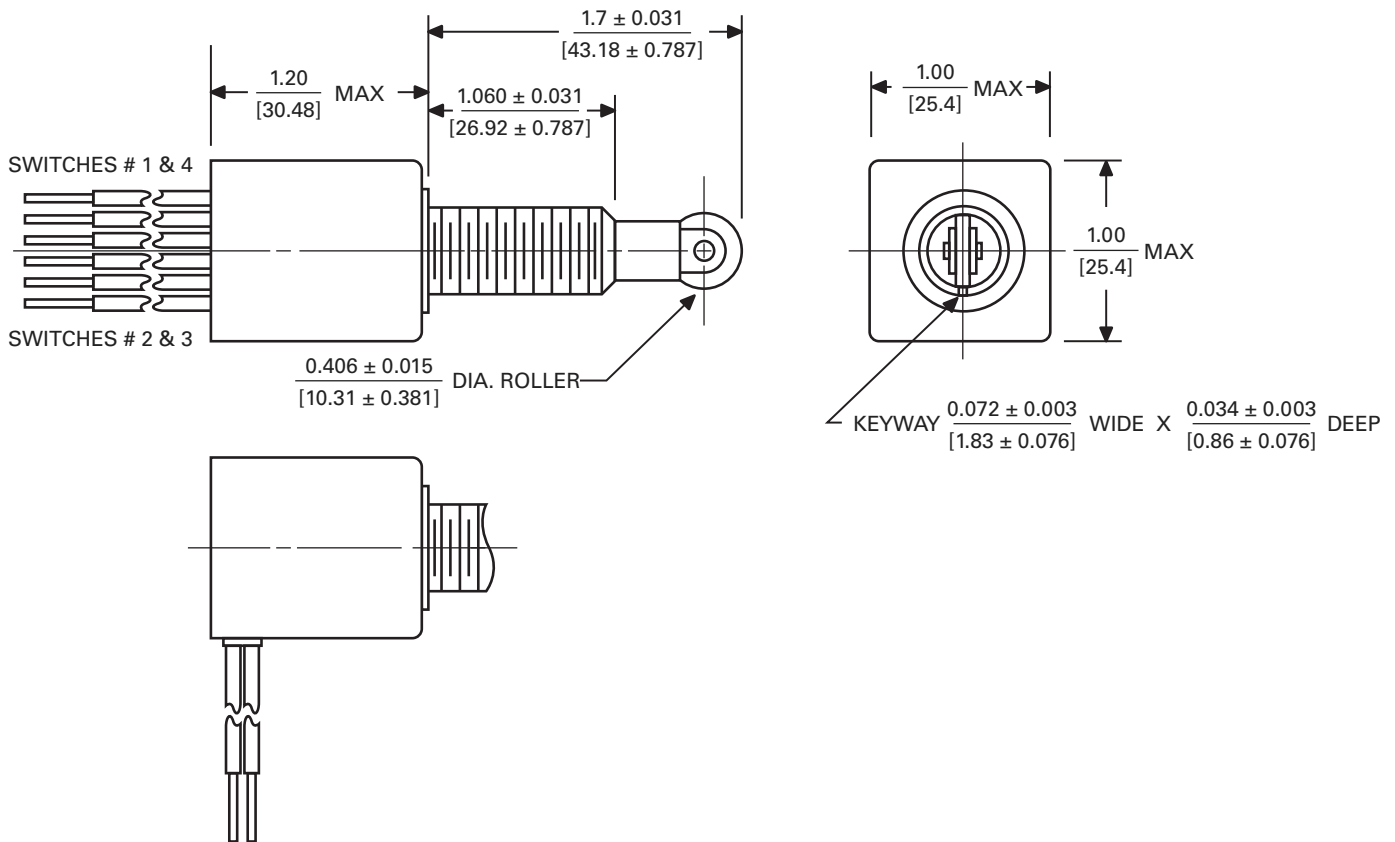


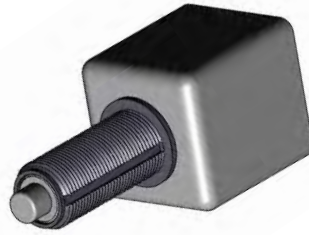


MIL-S-8805 CROSS REFERENCE CHART (2PDT)

Mil Spec	Sensata PN	Plunger Type	Wire Leads	Threaded Mount	Actuating Force	Movement Differential	Pretravel	Overtravel	Release Force
M8805/70-033	10AT372-32-10	Flat	Parallel	15/32-32NS-2A	160 oz max	0.020" max	0.020" to 0.030"	0.200" min	16 oz min
M8805/70-034	10AT373-32-10	Roller	Parallel	15/32-32NS-2A	160 oz max	0.020" max	0.020" to 0.030"	0.200" min	16 oz min
M8805/70-035	10AT372-33-10	Flat	90° Angle	15/32-32NS-2A	160 oz max	0.020" max	0.020" to 0.030"	0.200" min	16 oz min
M8805/70-036	10AT373-33-10	Roller	90° Angle	15/32-32NS-2A	160 oz max	0.020" max	0.020" to 0.030"	0.200" min	16 oz min

DIMENSIONAL DRAWINGS – Threaded Mount, Roller Plunger, 4PDT Configuration (10AT374-102-10 & 10AT374-103-10)

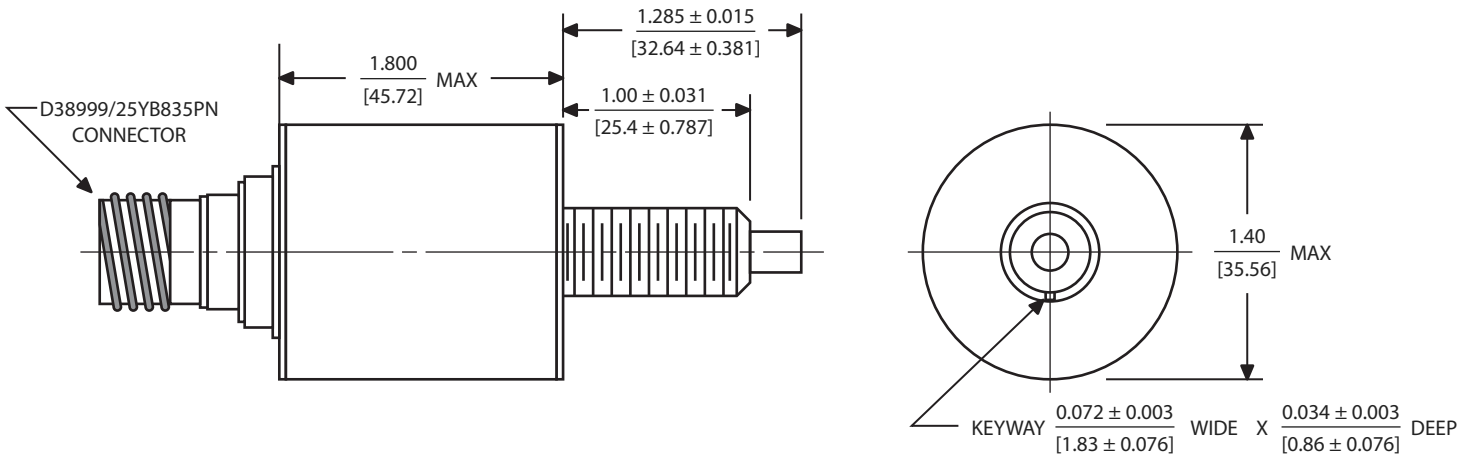




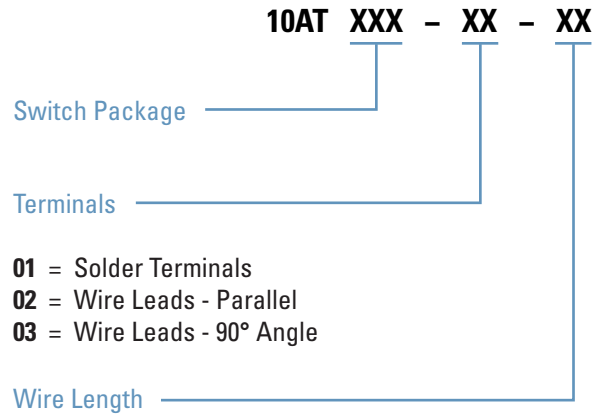
MIL-S-8805 CROSS REFERENCE CHART (4PDT)

Mil Spec	Sensata PN	Plunger Type	Connector	Threaded Mount	Actuating Force	Movement Differential	Pretravel	Overtravel	Release Force
M8805/116-022	10AT493-1	Flat	D38999/25YB35PN Connector	15/32-32NS-2A	160 oz max	0.020" max	0.030" max	0.200" min	16 oz min
M8805/70-037	10AT375-102-10	Flat	Parallel	15/32-32NS-2A	160 oz max	0.020" max	0.030" max	0.200" min	16 oz min
M8805/70-038	10AT374-102-10	Roller	Parallel	15/32-32NS-2A	160 oz max	0.020" max	0.030" max	0.200" min	16 oz min
M8805/70-039	10AT375-103-10	Flat	90° Angle	15/32-32NS-2A	160 oz max	0.020" max	0.030" max	0.200" min	16 oz min
M8805/70-040	10AT374-103-10	Roller	90° Angle	15/32-32NS-2A	160 oz max	0.020" max	0.030" max	0.200" min	16 oz min

DIMENSIONAL DRAWINGS – Threaded Mount, 4PDT, Flat Plunger Configuration (10AT493)



STANDARD PART NUMBER BUILDER



- 01** = Solder Terminals
- 02** = Wire Leads - Parallel
- 03** = Wire Leads - 90° Angle

No dash # needed if solder terminals

- 1** = 6" (152mm)
- 2** = 12" (305mm)
- 3** = 18" (457mm)
- 4** = 24" (610mm)
- 5** = 30" (762mm)
- 6** = 36" (914mm)
- 7** = 42" (1067mm)
- 8** = 48" (1219mm)
- 9** = 60" (1524mm)
- 10** = 72" (1829mm)