

# R08IB3S-MLU1

## 8.4" Intel® Celeron® N2930 G-WIN Defence Panel PC



### KEY FEATURES

- Defence grade power connector
- Ultra Low Power and High Performance Intel® Celeron® Bay Trail N2930 1.83 GHz
- Fanless Design
- High Quality 8.4" Panel, 800 x 600 Resolution
- Full IP65 Dust/water resistant Protection (Except I/O parts)
- Aluminum Housing with Anti-Corrosion Treatments
- Anti-Shock and Vibration Standard according to MIL-STD-810F/G & IEC60068-2-27
- 5 Wire Resistive Touchscreen / Anti-Reflection Protection Glass (Optional)
- 802.11 a/b/g/n Wireless LAN with Antenna (Optional)
- Wide Range 9 to 36 V DC Input (Optional)

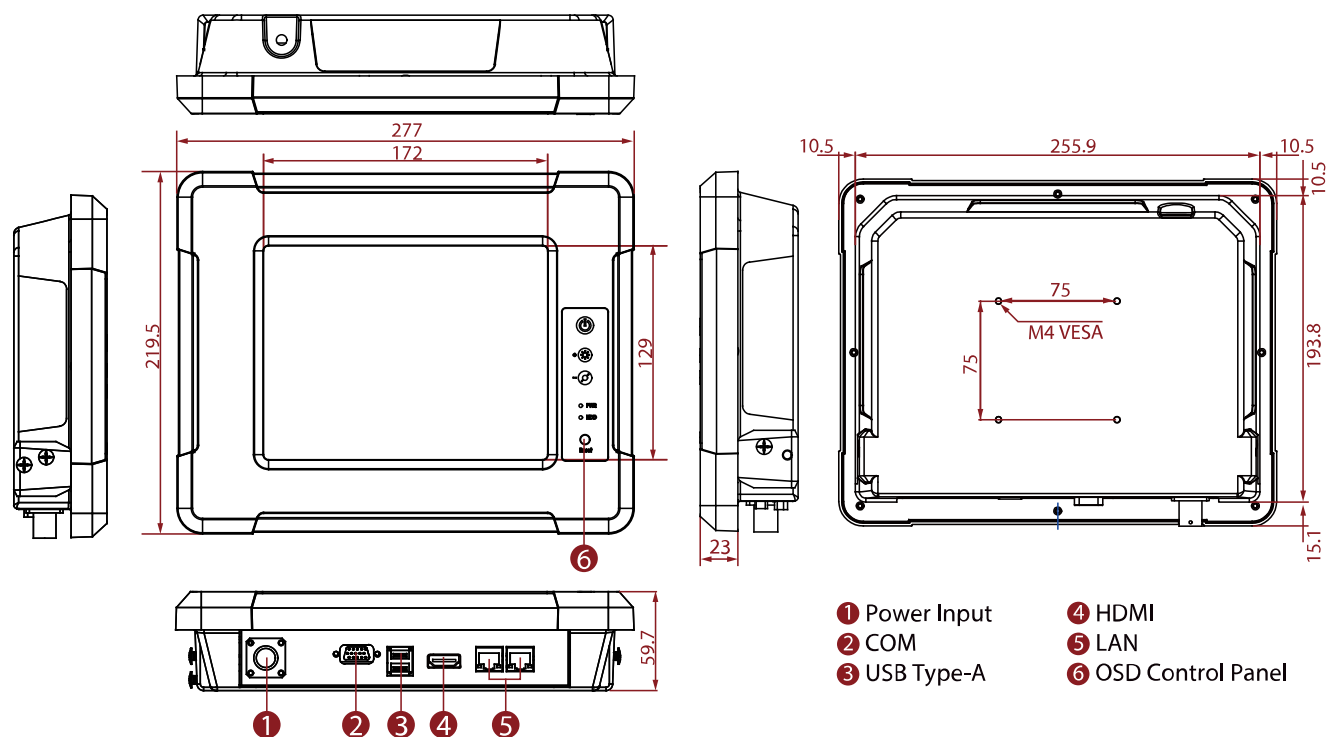


### SPECIFICATIONS

Display			
<b>Resolution</b>	800x600	<b>Size</b>	8.4 inches
<b>Contrast Ratio</b>	600:1	<b>Panel Brightness</b>	600 nits
<b>View Angles</b>	75,75,60,70	<b>Active Area</b>	170.4x127.8 mm
<b>Touch / Glass</b>	AR Protection Glass 5 Wires Resistive Touch (Optional) 5 Wire Resistive with EMI Mesh Filter (Optional) EMI Glass (Optional)		
System Specification			
<b>Processor</b>	Intel® Celeron® N2930 (2M Cache, up to 2.16 GHz)	<b>Memory</b>	1 x SO-DIMM, DDR3L 1600 MHz, 4GB 8GB (Optional)
<b>Storage</b>	1 x mSATA SSD 128GB. mSATA SSD up to 512GB. (Optional)	<b>Ethernet controller</b>	2 x Intel® Ethernet Controller
<b>Operating System</b>	Windows 10 IoT Enterprise (Optional) Linux Ubuntu 20.04 (Optional)	<b>WLAN</b>	Support (Optional)
<b>BT</b>	Support (Optional)		
Environment			
<b>Operating Humidity</b>	10% to 95% RH	<b>Operating Temperature</b>	-20°C~60°C
<b>Storage Temperature</b>	-30°C~70°C	<b>Shock</b>	Operating:30g for 18ms
<b>Vibration</b>	Operating: 1.60/1.96/2.18 g rms for XYZ / 5-500Hz		
Compliance			
<b>MIL-STD 461E/F</b>	RE101 / RE102 CE101 / CE102 with EMI Glass / Touch(Optional) RS101 / RS 103 CS101 / CS 106 / CS 109 / CS 114 / CS 115 / CS 116	<b>MIL-STD 810F/G</b>	Vibration Method 514.5 Humidity Method 507.4 Transit Drop Method516.5
Certification			

<b>Certification</b>	CE, FCC		
<b>IO Ports</b>			
<b>USB Port</b>	1 x USB2.0 1 x USB3.0	<b>Serial Port</b>	1 x RS232(Default)/422/485
<b>Video</b>	1 x HDMI (Optional)	<b>LAN</b>	2 x RJ-45
<b>Indicator</b>	Power On/ Off HDD Status		
<b>Mechanical</b>			
<b>Dimension</b>	277 x 219.5 x 59.7 mm	<b>Weight</b>	2.3 kg
<b>Mounting</b>	VESA Mount	<b>Enclosure</b>	Metal Housing with Aluminum Bezel
<b>Cooling System</b>	Fanless Design		
<b>Accessory</b>			
<b>Accessory</b>	User Manual Driver CD and User Manual Touch Driver CD Open Wire Cable 100~240V AC to DC Adapter Power Cord		
<b>Power</b>			
<b>Power Rating</b>	12V DC (MIL-DTL-38999/1 connector) 9V to 36V wide range (Optional)		
<b>Control</b>			
<b>Button</b>	4 Keys: Power, Brightness Up, Brightness Down, Reset		

## DIMENSIONS UNIT:MM



## NOTE

1. This is a simplified drawing and some components are not marked in detail.
2. Please contact our sales representative if you need further product information.
3. All specifications are subject to change without prior notice.
4. The product shown in this datasheet is a standard model. For diagrams that contain customized or optional I/O, please contact the Winmate Sales Team for more information.