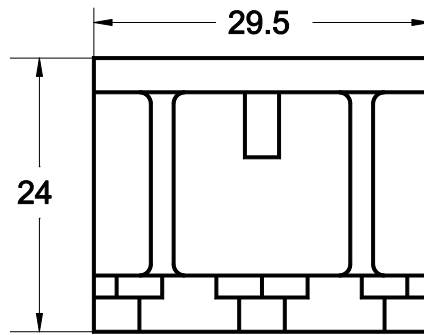
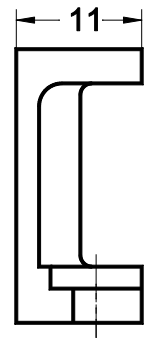


**081E03-00**

**LABEL HOLDER, RAILWAY ACCESSORY**  
**PORTE ETIQUETTE, ACCESSOIRE FERROVIAIRE**

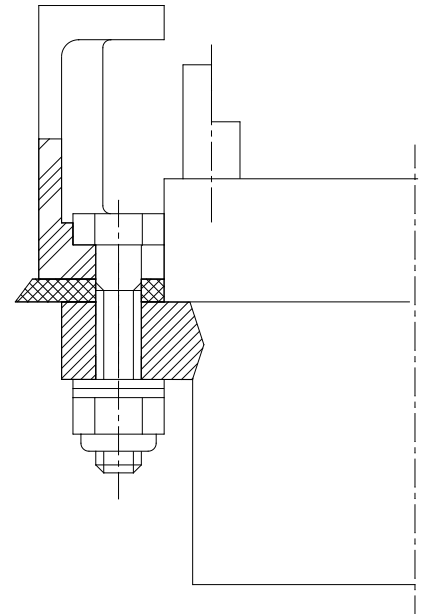
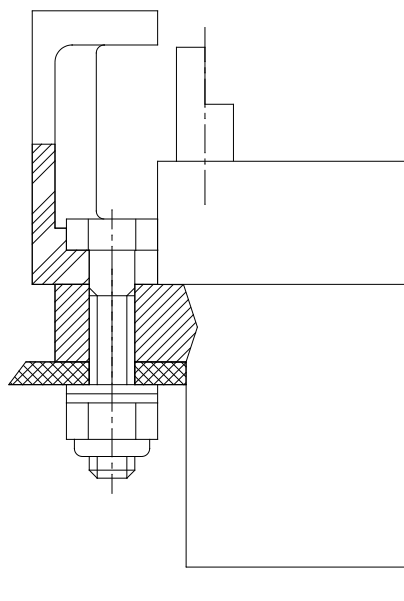


**TOP MOUNT**  
**MONTAGE SUR STRUCTURE**



**BOTTOM MOUNT**  
**MONTAGE SOUS STRUCTURE**

**Applicable Sockets:**  
 SF400-1F, SF402-1F et SF600-2F



Dimensions in mm  
 Tolerances, unless otherwise specified,  $\pm 0.12\text{mm}$

**GENERAL CHARACTERISTICS**  
**CARACTERISTIQUES GENERALES**

<b>Material</b> <i>Matière</i>	Lexan.
<b>Weight</b> <i>Poids</i>	5.2g max.
<b>Label dimensions</b> <i>Format de l'étiquette</i>	Thickness 0.5 mm.

**Note: The mounting hardware is supplied with socket, not with the label holder.**  
*Les fixations sont fournies avec l'embase, mais pas avec le porte étiquette.*

LEACH INTERNATIONAL EUROPE S.A.S.  
 Tel: +33 3 87 97 98 97  
 Fax: +33 3 87 97 96 86

LEACH INTERNATIONAL ASIA PACIFIC  
 Tel: +852 2 191 3830  
 Fax: +852 2 389 5803

The technical information provided by Leach International Europe is to be used as a guide only, and is not meant for publication or as documentation for altering any existing specification. Dimensions are in millimeters unless otherwise specified. Rev. 06/2019.