

## Features

- Intel® Atom™ E3845/ E3825 and Celeron® Processor SoC
- Onboard DDR3L Memory Max. 4 GB
- CRT, 18/24-bit Dual-Channel LVDS LCD, HDMI (DP Shared with HDMI/CRT, Optional)
- 2 CH Audio
- SATA 3.0 Gb/s x 1 & mSATA (Shared with Mini-Card)
- Supports 8-bit Digital I/O, USB2.0 x 3, USB 3.2 Gen 1 x 1
- RS-232 x 2, RS-232/422/485 x 2
- Mini-Card Slot x 2 (Full-size x 1, Half-size x 1)
- Wide DC Support 9~24V
- Supports TPM (Optional)
- 4/5/8-wire Resistive Touch Screen Controller (Optional)
- Solder Design For System Assembly and Thermal



## Specifications

System	
Form Factor	3.5" SubCompact Board
CPU	Intel® Atom™ E3845/E3825
CPU Frequency	Up to 2.0GHz
Chipset	Intel® Atom™ series Processor SoC
Memory Type	Onboard DDR3L 1066/1333
Max. Memory Capacity	Up to 4GB
BIOS	UEFI
Wake on LAN	Yes
Watchdog Timer	255 Levels
Power Requirement	Wide DC support 9~24V
Power Supply Type	AT/ATX
Power Consumption (Typical)	Intel® E3845, Onboard DDR3L 1600MHz 4G, 0.64A@+12V
Dimension (L x W)	5.75" x 4" (146 mm x 101.6 mm)
Operating Temperature	32°F ~ 140°F (0°C ~ 60°C) or WiTAS 2 (TBD)
Storage Temperature	-40°F ~ -176°F (-40°C ~ 80°C)
Operating Humidity	0% ~ 90% relative humidity, non-condensing
MTBF (Hours)	110,000
Certification	CE/FCC
Display	
VGA/LCD Controller	Intel® Atom™ Processor SoC
Video Output	CRT+LVDS, HDMI+LVDS, CRT+HDMI
Backlight inverter supply	18/24-bit dual-channel LVDS LCD
I/O	
Ethernet	Intel® I211 (or 210), 10/100/1000Base-TX, RJ-45 x 2
Audio	High definition audio interface
USB Port	USB2.0 x 3, USB 3.2 Gen 1 x 1
Serial Port	RS-232 x 2, RS-232/422/485 x 2
Parallel Port	SPP/EPP/ECP x 1
HDD Interface	SATA 2.0 x 1
FDD Interface	—
SSD	mSATA (Half-size, shared with Mini-Card)
Expansion Slot	Mini-Card x 1 (Full-size)
DIO	8-bit
SIM	x 1
TPM	x 1
Touch	x 1

## Packing List

- GENE-BT06 with Heatspreader

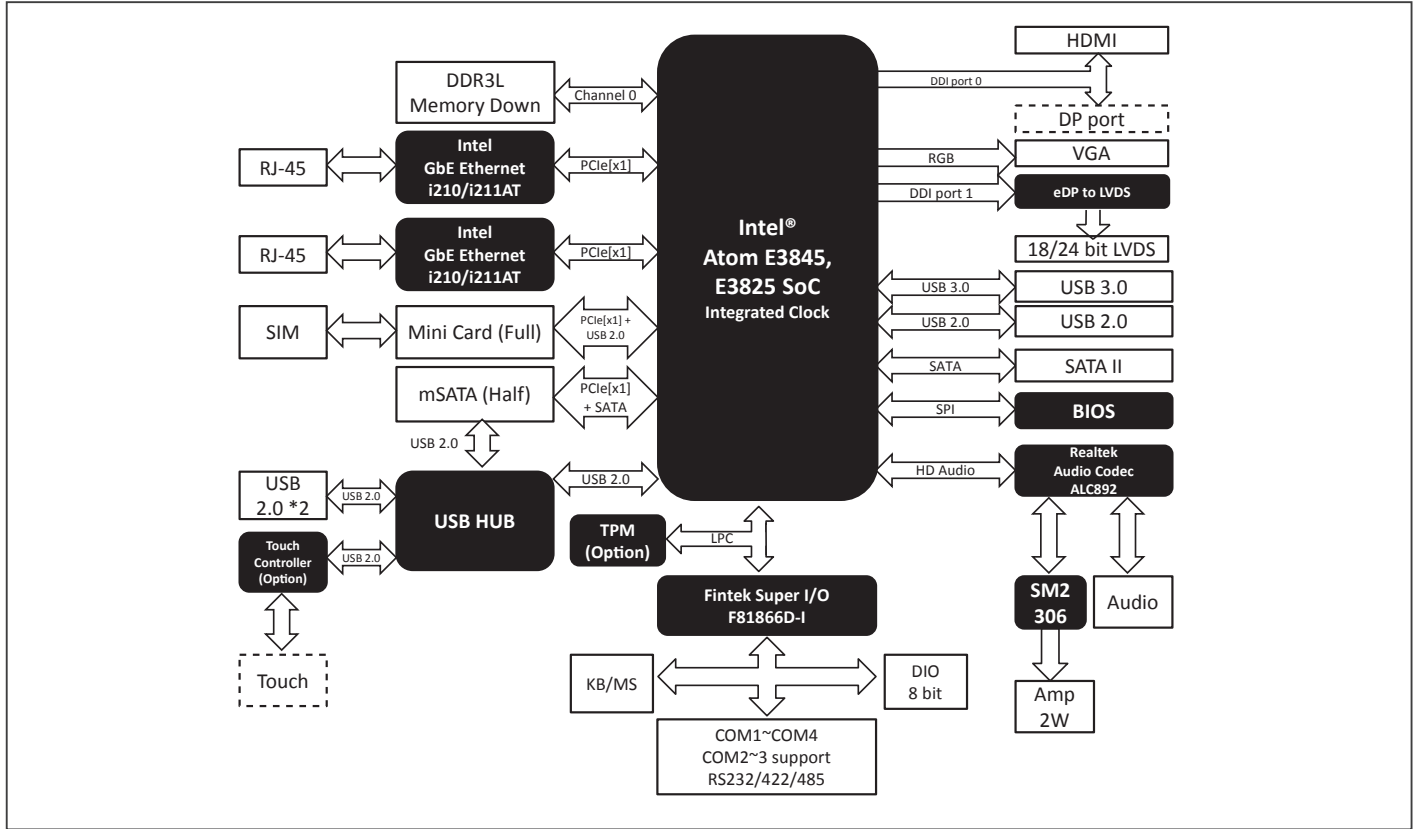
## Optional Accessories

Part Number	Description	QTY
1700050207	(TF)USB CABLE, 1*5P Pitch=1.25mm Housinh, 20cm, for PFM-945C	2
1701090150	(TF)Flat Cable, D-Sub 9(M), 9P Housing, 9P 1.25mm pitch Housing, 15cm	3
1709100254	(TF)PHONE JACK Cable, 3P AUDIO JACK, 1*10P 1.25mm HOUSING(F), 25cm	1
1702150155	(TF)Power Cable, 15P SATA(F), 2P 2.0mm Housing(PH), 15cm	1
170220020B	(TF)Power Cable, 20P ATX(M), 4P 5.08mm Housing(F), +3P 2.5mm Housing (XH), 20cm	1
1700060157	(TF)Cable, 6P 2.0mm Housing, 6P JACK W/SCREW KB&MS, 15cm	1
1702002010	(TF)Power CABLE, 1*2P Pitch=5.0mm Housing, 10cm, for PFM-945C.(12V only)	1
175011901C	(TF)BATTERY, 3V, MAXELL, CR2032M1S8-LF	1

## OS Support

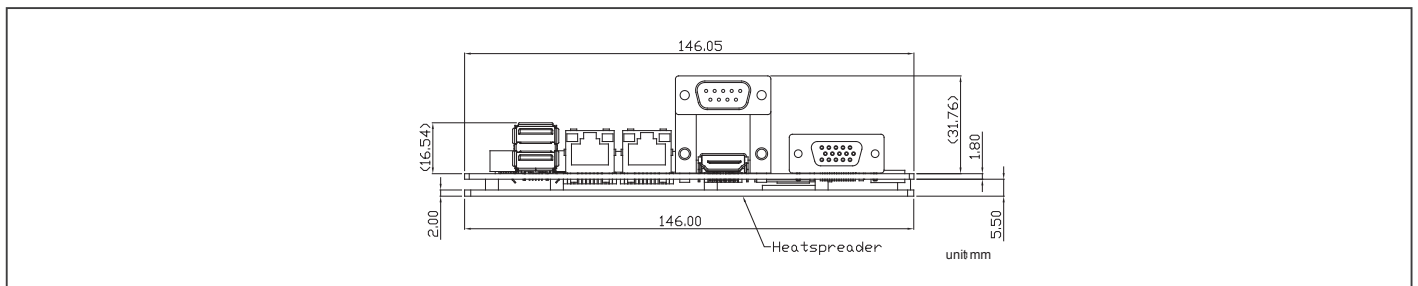
Part Number	Description
OS-W10R-600-00000-EN	Windows 10 IoT Enterprise, for Retail or ThinClients, 64bit MultiLang. (EngFreChITChISJanKor)

### Block Diagram



### Dimension

Unit: mm



### Ordering Information

Part Number	CPU	Fan/ Fanless	Memory	Display	LVDS	Storage	LAN	USB	RS-232	RS-232/ 422/485	Expansion Slot	Power	Power Temp	Others
GENE-BT06-A11-0001	Intel® Atom™ E3825	Fanless	Onboard 2GB	VGA, LVDS	24bit, 2CH	SATA x 1 mSATA x 1 (half size)	GbE x 2	USB 3.2 Gen 1 x 1 USB 2.0 x 3	2	2	MiniCard x 1 (Full)	9~24V	0°C ~ 60°C	DIO x 8
GENE-BT06-A11-0002	Intel® Atom™ E3845	Fanless	Onboard 4GB	VGA, LVDS, HDMI	24bit, 2CH	SATA x 1 mSATA x 1 (half size)	GbE x 2	USB 3.2 Gen 1 x 1 USB 2.0 x 3	2	2	MiniCard x 1 (Full)	9~24V	0°C ~ 60°C	Touch Controller, TPM, SIM, DIO x 8
GENE-BT06W2-A11-0001	Intel® Atom™ E3825	Fanless	Onboard 2GB	VGA, LVDS	24bit, 2CH	SATA x 1 mSATA x 1 (half size)	GbE x 2	USB 3.2 Gen 1 x 1 USB 2.0 x 3	2	2	MiniCard x 1 (Full)	12V	WTAS 2 (-40°C~85°C)	DIO x 8
GENE-BT06W2-A11-0002	Intel® Atom™ E3845	Fanless	Onboard 4GB	VGA, LVDS, HDMI	24bit, 2CH	SATA x 1 mSATA x 1 (half size)	GbE x 2	USB 3.2 Gen 1 x 1 USB 2.0 x 3	2	2	MiniCard x 1 (Full)	12V	WTAS 2 (-40°C~85°C)	Touch Controller, TPM, SIM, DIO x 8