
Safe measurement, indication and control of rotational speed



Perfect rotational speed sensor for hybrid / electric drives

Degree of
protection
IP67 / IP69K





Perfect sensors for innovative drives in construction and agricultural machinery

Features

- ◆ Degree of protection: IP67 / IP69K
- ◆ Different cable lengths and connectors
- ◆ Wide temperature range
- ◆ Wide frequency range
- ◆ Alignment required

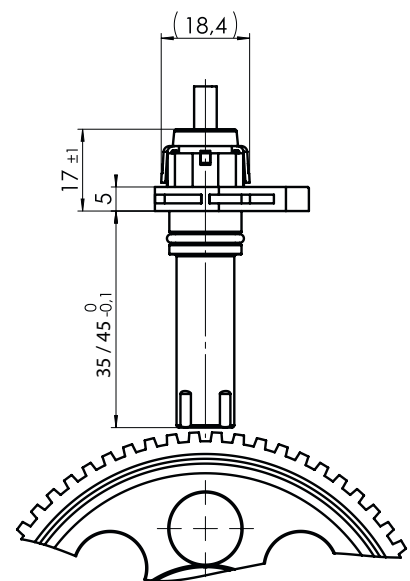
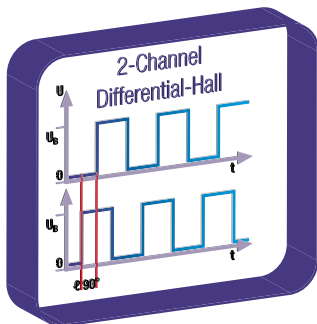
Thanks to a smart design of the sensor head with its cable outlet in either 90° or 180°, the FQ_{0Hz} series is achieving the high protection class of IP67 / IP69K and is therefore the ideal sensor for the „dirty jobs“.

Thanks to different sensor lengths, cable outlet directions and connector options, this product line offers users a high degree of flexibility, enabling adaptation to entirely individual requirements to a very attractive price. And even if none of the available models is suitable, RHEINTACHO will be pleased to draw on its recognised expertise in customised solutions to develop the right solution for you.

Technical data

2-Channel Differential-Hall FQ_{0Hz} series

Power supply	7 VDC ... 36 VDC
Frequency range	0 Hz ... 40 kHz
Output	NPN
Operation temperature, max.	-40 °C ... +140 °C / -40 °F ... +284 °F
Degree of protection	IP67 / IP69K
Plug	Open leads, Contact pins, Plugs: AMP SUPER-SEAL, AMP Junior Timer, DEUTSCH DT (others on request)
Insertion depth	35 mm, 45 mm (others on request)
Cable length	500 mm, 1200 mm (others on request)
Cable outlet	90° or 180° angle to sensor housing



Contact

RHEINTACHO Messtechnik GmbH

Waltershofener Straße 1 · 79111 Freiburg · Germany

Tel +49 (0)761 45 13 0 · Fax +49 (0)761 44 52 74 · info@rheintacho.de · www.rheintacho.com