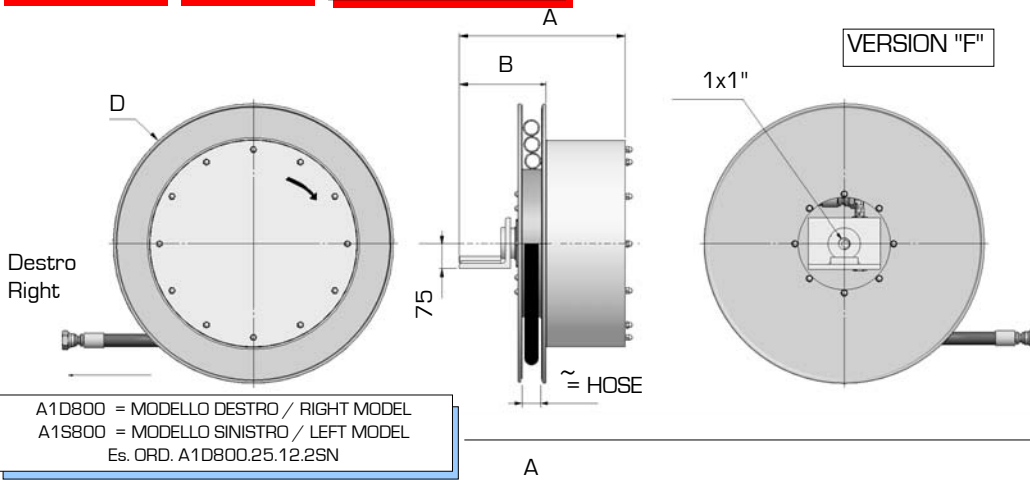
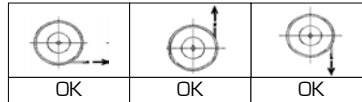
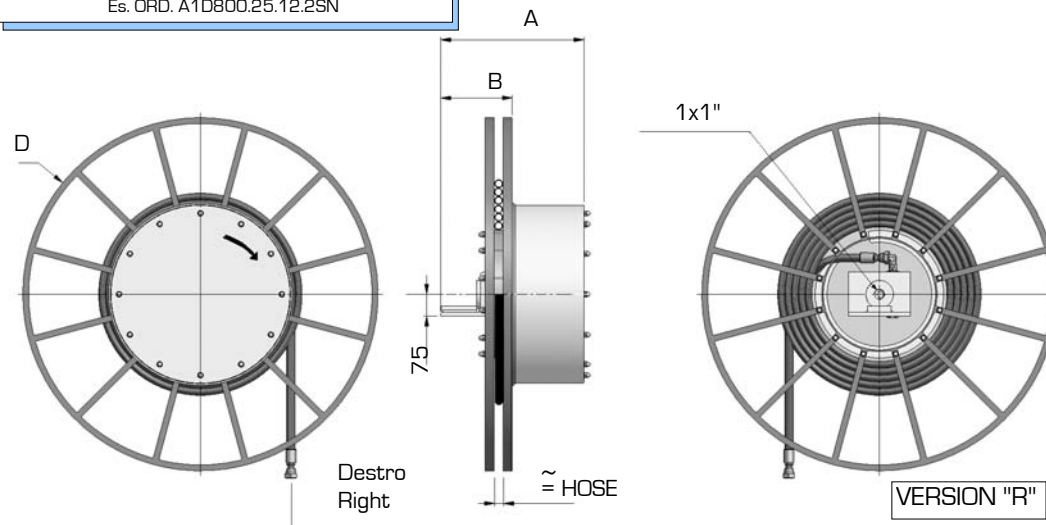
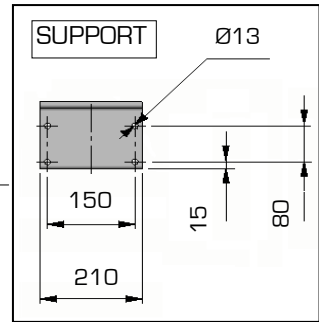


141.1
MAX
135 l/min

W. P.
350 bar

MAX HOSE SPEED
30 m/min


A1D800 = MODELLO DESTRO / RIGHT MODEL
A1S800 = MODELLO SINISTRO / LEFT MODEL
Es. ORD. A1D800.25.12.2SN



Modello destro Right model	Version	A	B	D	Ø	CON TUBO / WITH HOSE			
						Lungh.totale m Total length m		Lungh.utile m Usable length m	
						2SN		4SP	
A1D800.25.16.XX	F	-	242	810	5/8"	14,0	13,0	14,0	13,0
A1D800.25.19.XX					3/4"	12,0	11,0	12,0	11,0
A1D800.25.25.XX					1"	10,0	9,0	10,0	9,0
A1D900.25.12.XX	F	-	242	910	1/2"	21,0	20,0	21,0	20,0
A1D900.25.16.XX					5/8"	19,0	18,0	19,0	18,0
A1D900.25.19.XX					3/4"	17,5	16,5	15,0	14,0
A1D900.25.25.XX	1"	13,5	12,5	11,2	10,2				
A1D1000.25.12.XX	R	-	242	1000	1/2"	30,0	29,0	30,0	29,0
A1D1000.25.16.XX					5/8"	28,0	27,0	28,0	27,0
A1D1000.25.19.XX					3/4"	23,0	22,0	21,0	20,0
A1D1000.25.25.XX	1"	19,0	18,0	16,5	15,5				
A1D1200.25.12.XX	R	-	300	1200	1/2"	38,0	37,0	38,0	37,0
A1D1200.25.16.XX					5/8"	30,0	29,0	30,0	29,0
A1D1200.25.19.XX					3/4"	30,0	29,0	30,0	29,0
A1D1200.25.25.XX	1"	26,0	25,0	23,0	22,0				
A1D1400.25.12.XX	R	-	300	1400	1/2"	45,0	44,0	45,0	44,0
A1D1400.25.16.XX					5/8"	40,0	39,0	35,0	34,0
A1D1400.25.19.XX					3/4"	35,0	34,0	35,0	34,0
A1D1400.25.25.XX	1"	30,0	29,0	30,0	29,0				
A1D1600.25.12.XX	R	-	300	1600	1/2"	50,0	49,0	50,0	49,0
A1D1600.25.16.XX					5/8"	50,0	49,0	50,0	49,0
A1D1600.25.19.XX					3/4"	45,0	44,0	45,0	44,0
A1D1600.25.25.XX	1"	40,0	39,0	40,0	39,0				