

**Power Terminals**  
Stainless M8 X 1.25 Stud  
Stainless M8 X 1.25 Flanged Nut  
  
Torque 9-10 Nm [80-90 in-lb]

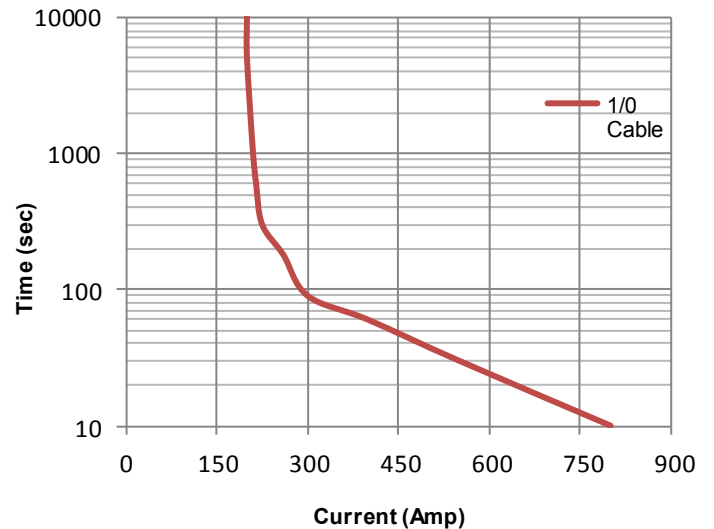
**Mounting Hardware**  
M5 [No. 10] Bolts (not incl.)  
  
Torque 2-4 Nm [18-35 in-lb]

**Case Material**  
25% GF Nylon 6/6, UL 94 V-O

**Key Features**

|                                 |   |
|---------------------------------|---|
| <b>EPIC® Seal</b>               | Ceramic to metal braze. Gas filled hermetic chamber protects key components. Exceeds IP69K standard |
| <b>Temperature</b>              | Tested to temperatures up to 200°C  |
| <b>Contacts / Form</b>          | Silver / SPST / NO  |
| <b>Coil</b>                     | Optional efficient two coil design with no PWM or EMI emissions. Coil suppression built in          |
| <b>High Shock and Vibration</b> | For rugged environments, off-road and tracked vehicles  |
| <b>Installation</b>             | Not direction sensitive   |
| <b>Made in USA</b>              | Designed and manufactured in the USA  |
| <b>Reference</b>                | MIL-R-6106, RoHS  |

**Current Carry vs Time**  
with 85°C terminal temperature rise



| Technical Specification     |  |
|-----------------------------|--|
| Continuous Current          | 200A w/ 1/0 cable (see graph on reverse) |
| Max Current—1 sec           | 1200A                                    |
| Max Current—10 sec          | 750A                                     |
| Max Current—90 sec          | 250A                                     |
| Contact Voltage Drop (max)  | 150mV at 200A                            |
| Insulation Resistance (min) | 100MΩ (50MΩ after life)                  |
| Dielectric Withstanding     | 1500VRMS (1050 VRMS after life)          |
| Weight                      | 1.0 lb with hardware (460 grams)         |

| Resistive Load Switching |                |
|--------------------------|----------------|
| 200A at 24 VDC           | 100,000 cycles |
| Mechanical Life          | 300,000 cycles |
| Fault Interrupt @ 28VDC  | 1500A          |

| Environmental Specifications                         |   |
|--|---|
| Seal   | Hermetic, 10 E-9 atm cc/sec                     |
| Temperature Range                                    | -55°C to +100°C                                 |
| Shock  | Sawtooth @ 20G, 11ms, ½ Sine @ 25G, 11ms        |
| Vibration  | 10-2000 Hz, 20G                                 |
| Water / Steam  | 2750 psi waterjet, 105 psi steam, boiling water |
| Salt Spray Corrosion                                 | MIL-STD-810G                                    |
| Resistant to corrosion, chemicals, and fungal growth |   |

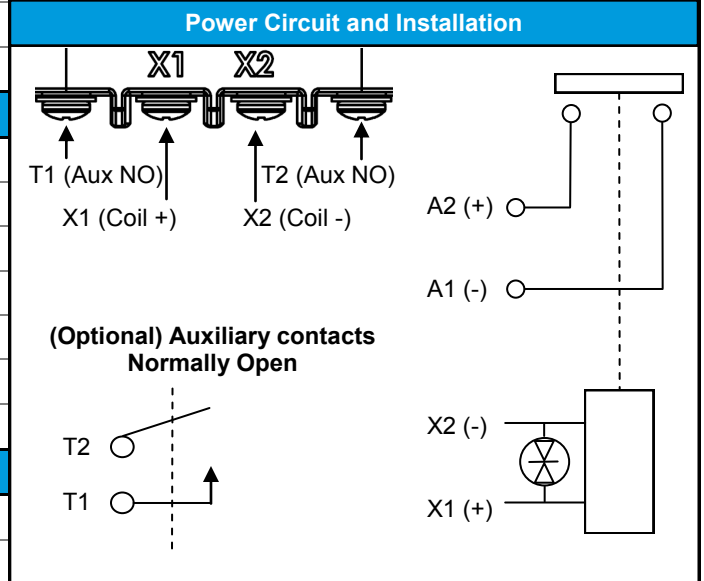
| Auxiliary contacts (optional) - Form A, SPST Normally Open |             |
|--|-------------|
| Switching Current (max)                                    | 1A at 28VDC |
| Switching Current (min)                                    | 0.1mA at 5V |

**MX32 D**

**Coil Voltage:**  
*See table*

**Auxiliary Contacts:**  
Blank = none  
B = SPST, Normally Open

**Coil Connection:**  
D = M4 Screws



**Coil Ratings at 25°C**  
\* S and T coil are dual coil design, all others are standard coils

| Coil P/N Designation            | B        | C       | F       | H       | J       | K                | L                | S*      | T*      |
|---------------------------------|----------|---------|---------|---------|---------|------------------|------------------|---------|---------|
| Coil Voltage, Nominal           | 12 VDC   | 24 VDC  | 48 VDC  | 72 VDC  | 120 VDC | 120 VAC, 50/60Hz | 240 VAC, 50/60Hz | 12 VDC  | 24 VDC  |
| Coil Voltage, Max               | 16 VDC   | 32 VDC  | 64 VDC  | 96 VDC  | 140 VDC | 140 VAC          | 280 VAC          | 16 VDC  | 32 VDC  |
| Pick-Up Voltage, Max            | 8 VDC    | 16 VDC  | 28 VDC  | 46 VDC  | 72 VDC  | 80 VAC           | 160 VAC          | 9 VDC   | 15 VDC  |
| Drop-Out Voltage, Max           | 3 VDC    | 7 VDC   | 10 VDC  | 14 VDC  | 18 VDC  | 30 VAC           | 60 VAC           | 4.5 VDC | 7 VDC   |
| Drop-Out Voltage, Min           | 0.5 VDC  | 0.5 VDC | 1.8 VDC | 2.7 VDC | 4.5 VDC | 4.5 VAC          | 9 VAC            | 1 VDC   | 1.5 VDC |
| Pick-Up Current, Max (75ms)     | N/A      | N/A     | N/A     | N/A     | N/A     | N/A              | N/A              | 1.8 A   | 1 A     |
| Coil Current                    | 0.68 A   | 0.28 A  | 0.16 A  | 0.095 A | 0.06 A  | 0.06 A           | 0.04 A           | 0.082 A | 0.057 A |
| Coil Power                      | 8 W      | 6.8 W   | 7.6 W   | 6.8 W   | 7.2 W   | 7.2 W            | 9.6 W            | 1 W     | 1.4 W   |
| Operate Time, Max (incl.bounce) | 20 msec  | 20 msec | 30 msec | 30 msec | 20 msec | 30 msec          | 30 msec          | 20 msec | 20 msec |
| Release Time, Max               | 12 msec  | 12 msec | 12 msec | 12 msec | 12 msec | 50 msec          | 55 msec          | 12 msec | 12 msec |
| Internal Coil Suppression       | Transorb |         |         |         |         |                  |                  |         |         |
| Coil Back EMF                   | 55 V     | 55 V    | 80 V    | 115 V   | 175 V   | N/A              | N/A              | 55 V    | 55 V    |
| Transients, Max (13ms)          | N/A      | N/A     | N/A     | N/A     | N/A     | N/A              | N/A              | ±50 V   | ±50 V   |
| Reverse Polarity                | N/A      | N/A     | N/A     | N/A     | N/A     | N/A              | N/A              | 16 V    | 32 V    |

| Options and Accessories |  |
|-------------------------|--|
|                         |  |
|                         |  |

**GIGAVAC®**

P.O. Box 4428  
Santa Barbara, CA 93140

[www.gigavac.com](http://www.gigavac.com)    [info@gigavac.com](mailto:info@gigavac.com)    +805-684-8401

Rev 5    9/24/15    © 2013 GIGAVAC, LLC    Page 2 of 2    **MX32**