





# BEACONS



## 7660 RotoLED™ SAE Class I LED Hybrid

7660 Series RotoLED™ beacon combines all the major benefits of the latest LEDs with the unmistakable warning signal of a rotator, without compromising reliability. LED Hybrid technology uses a brushless magnetic drive system to spin the reflector disk, reducing noise and eliminating the typical motor/gear drawbacks associated with conventional rotators. The 7660 also features a TIR optic to provide SAE Class I light output. Additional benefits include an extended, service free life, low amp draw.

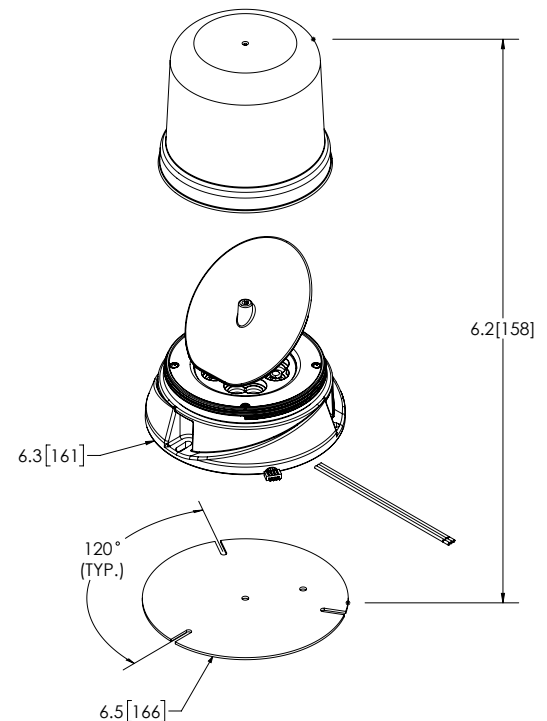
### Models

PART NO.	MOUNT	LENS COLOR	LED COLOR OPTIONS
7660X	3 Bolt		<input type="checkbox"/>
7660CC	3 Bolt	<input type="checkbox"/>	<input type="checkbox"/>
7660X-VM	Vacuum-Magnet		<input type="checkbox"/>
7660CC-VM	Vacuum-Magnet	<input type="checkbox"/>	<input type="checkbox"/>

Replace "X" in part number with desired color: A = amber, B = blue, C = clear, G = green, R = red

### Features and Benefits

- 12-24 VDC, 2.1 Amps, 75 / 125 FPM
- 1 Flash pattern, 2 different rotating speeds; 70 at 75FPM and 120 at 125FPM
- LED hybrid technology provides a high intensity rotating warning signal with no gears, brushes or bulbs to wear out
- Eight high-intensity LEDs combined with a TIR optic
- UV hard coated lens to greatly reduce cracking, hazing, abrasion and fading
- Universal bolt pattern for simple mounting
- Temperature Range: -22°F to +122°F (-30°C to +50°C)



45° angled reflector driven by a quiet brushless magnetic drive system provides an exceptional warning beam without compromising reliability

Eight high intensity, 3-watt LEDs combined with a unique TIR optic project light onto the reflector to provide SAE Class I light output

Unique base design efficiently dissipates heat from the LEDs

