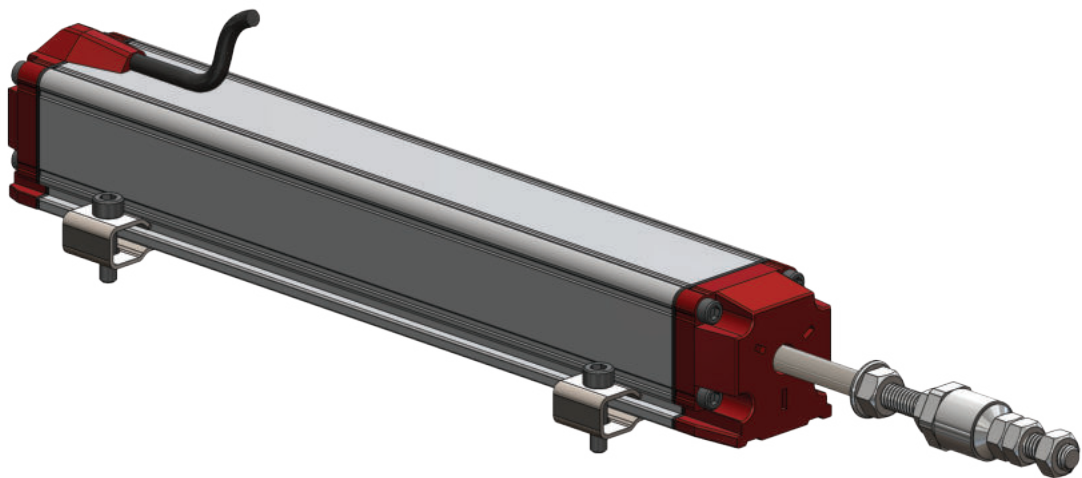


## RTK

Linear Potentiometer

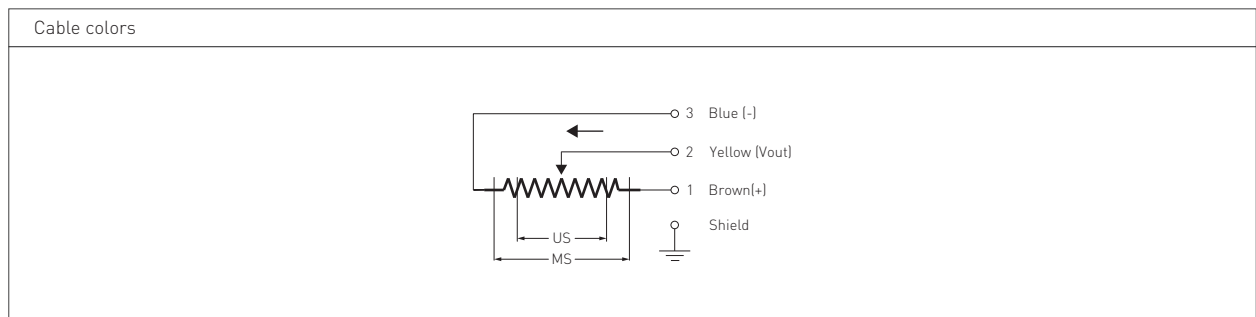
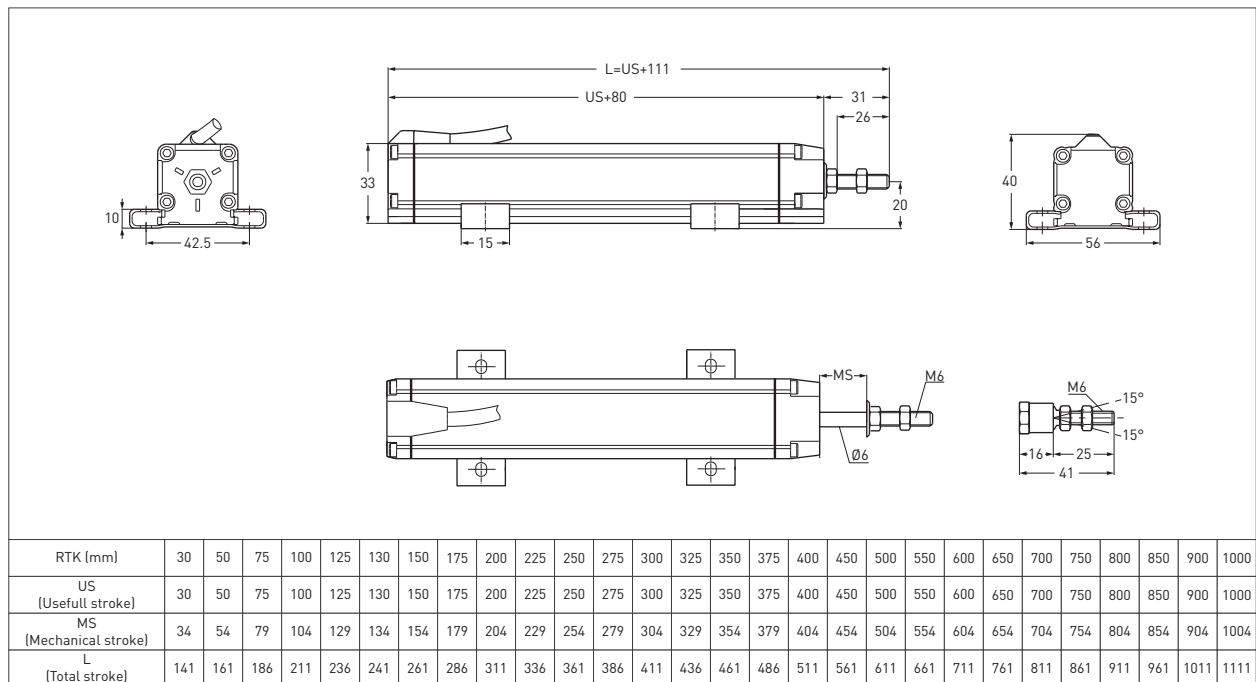
Long Stroke Series 30 - 1.000 mm

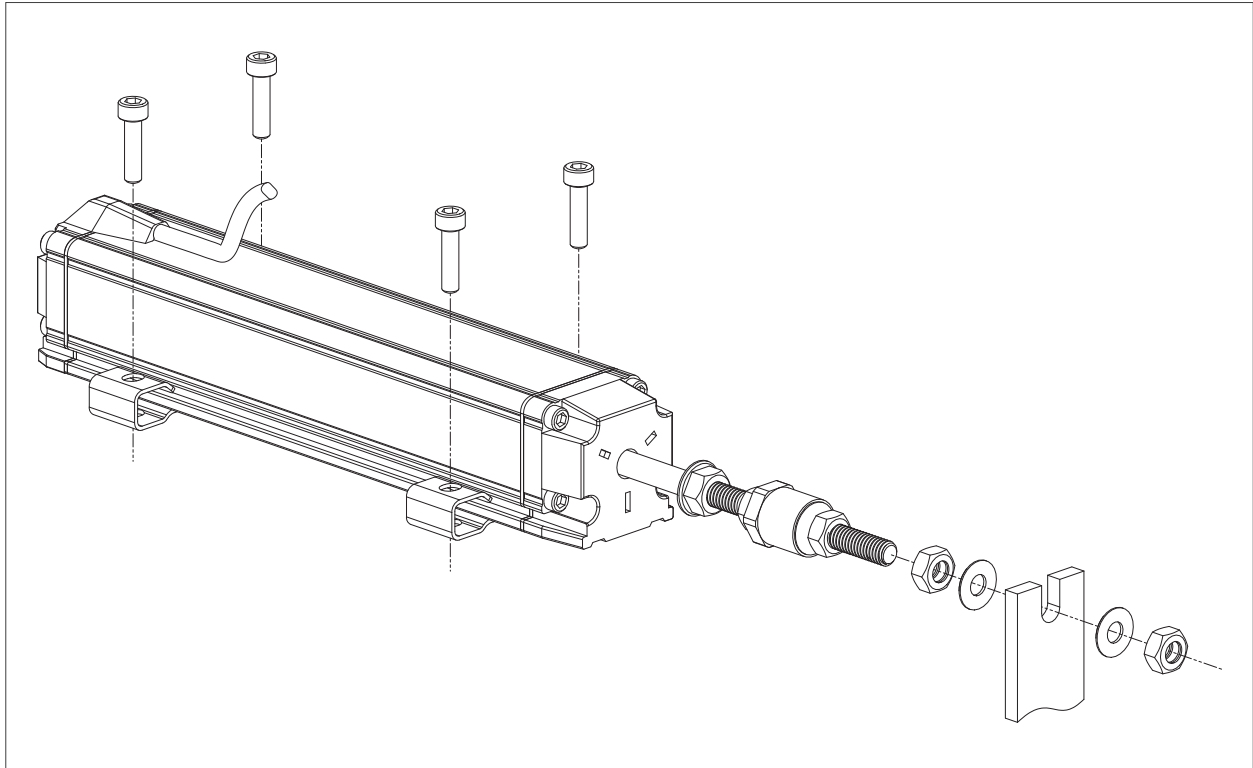


## 1. TECHNICAL SPECIFICATIONS

Measurement stroke	30 - 1.000 mm
Resolution	Infinite
Repeatability	< 0.01 mm
Permissible applied voltage	28 VDC max.
Electrical connections	Cable output (standard)
Displacement speed	< 5 m/s
Mechanical life	100 million movement
Protection level	IP 65
Resistance	5 kOhm: 30 - 600 mm 10 kOhm: 650 - 1.000 mm
Resistance tolerance	± %20
Load resistance	100 kOhm min.
Recommended wiper current	< 1 µA
Linearity	A: ±%0.5 (≤75 mm) B: ±%0.2 (100 - 125 mm) C: ±%0.1 (130 - 225 mm) D: ±%0.05 (>250 mm)
Case dimensions	33 mm x 33 mm
Case material	Anodized aluminium
Caps material	ABS Plastic
Rod material	Stainless steel
Rod diameter	Ø6 mm
Mechanical fixing	Variable brackets
Operating temperature	-20°C ... +80°C
Storage temperature	-30°C ... +90°C

## 2. MECHANICAL SPECIFICATIONS





#### 4.ORDERING PROCEDURE

<b>1</b>	<b>Model</b>
	RTK: Linear Potentiometer Long Stroke Series
<b>2</b>	<b>Measuring range</b>
	30 - 1.000 mm
<b>3</b>	<b>Linearity</b>
	A: $\pm 0.5$ ( $\leq 75$ mm) B: $\pm 0.2$ (100 - 125 mm) C: $\pm 0.1$ (130 - 225 mm) D: $\pm 0.05$ ( $\geq 250$ mm)
<b>4</b>	<b>Resistance (kOhm)</b>
	5K: 5 kOhm (30 - 600 mm) 10K: 10 kOhm (650 - 1.000 mm)
<b>5</b>	<b>Cable</b>
	1M: 1 meter cable (standard) 2M5: 2,5 meter cable (optional)

For example:

RTK	500	D	5K	1M
1	2	3	4	5

**TÜRKİYE**  
Headquarter, R&D, Production

**OPKON Optik Elektronik Kontrol Sanayi ve Ticaret A.Ş.**  
Terazidere Mah. 29 Ekim Cad. No:34 Bayrampaşa / İstanbul / TÜRKİYE  
Phone : +90 (212) 501 48 63  
Fax : +90 (212) 501 48 83  
Web : www.opkon.com.tr  
E-mail : export@opkon.com.tr

**GERMANY**  
Subsidiary

**SENSORMARKET GmbH**  
Graeffstrasse. 5, 50823 Köln / GERMANY  
Phone : +49 22159495400  
Fax : +49 22159495402  
Web : www.sensormarker.eu  
E-mail : sales@sensormarket.eu

**CHINA**  
Subsidiary

**DANZI Sense Technology**  
(Shanghai) Co., LTD. Room 123 - B, F/1, No. 1000 Ziyue Road, Minhang District, 200240 Shanghai / CHINA  
Hotline : 400 8050 889  
Phone : 021 - 64091719  
Fax : 021 - 64091713  
Web : www.opkonchina.com  
E-mail : marketing@opkonchina.com

**opkon.com.tr**

Please note: The specifications and information in this datasheet may not cover all special demands arising from specific applications. Therefore, they do not constitute a comprehensive description of the product properties. OPKON accepts no responsibility for damages resulting from the improper application of our products. The user is responsible for ensuring that the products used are suitable for their own application.