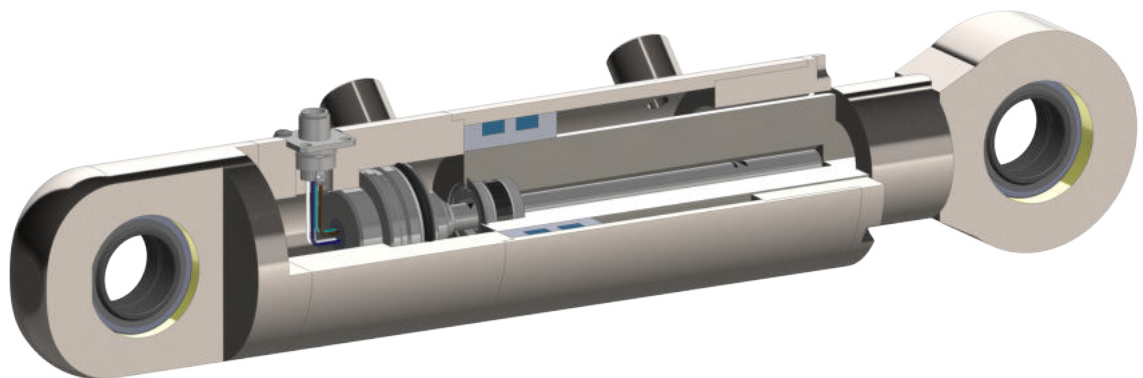


MSP

Non-Contact Magnetostrictive Position Sensor
In Cylinder Applications

ANALOG mA/V

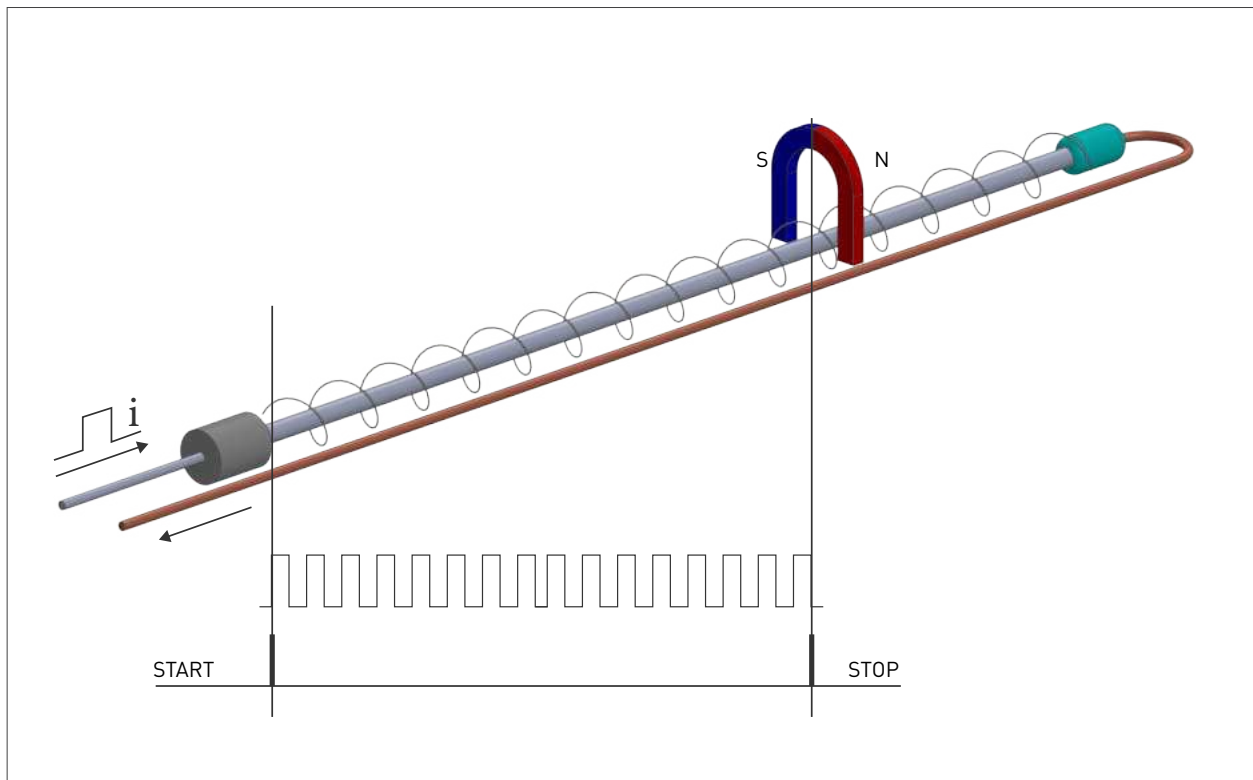


1.1 Non-Contact Magnetostrictive Position Sensor In Cylinder Applications

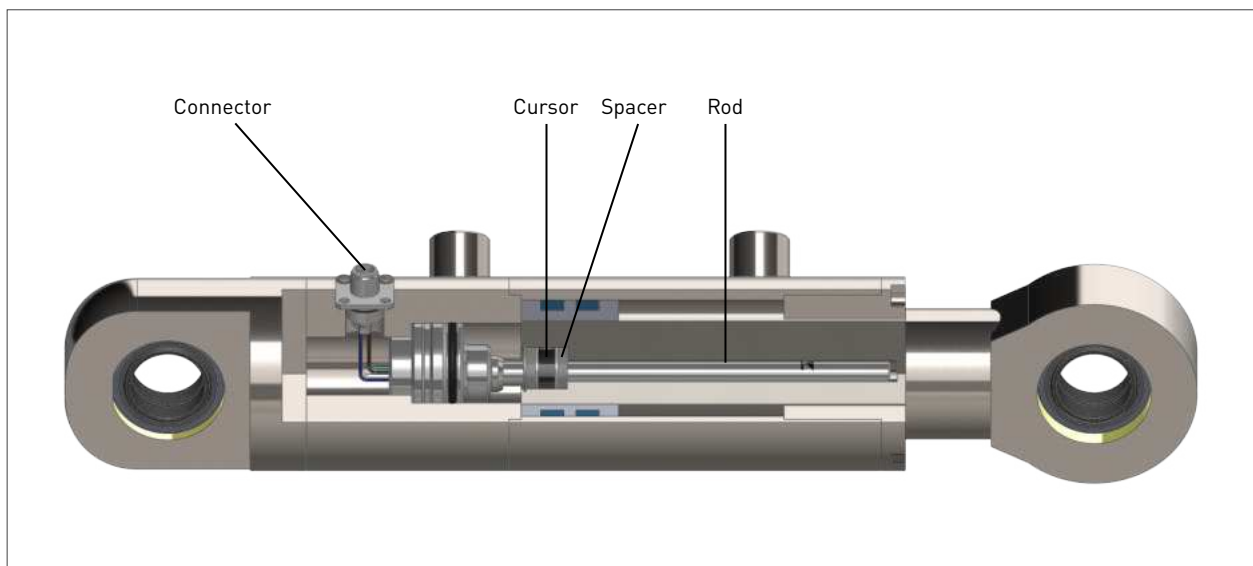
Contactless magnetostrictive position sensors inside the piston are designed to measure the position of hydraulic pistons precisely and reliably. These sensors are resistant to high pressure, can operate in hydraulic oil, have high accuracy, and an unlimited mechanical lifespan, providing absolute position measurement.

1.2 Measurement Principle

The working principle of magnetostrictive position sensors involves an electronic circuit sending an initial pulse to the magnetostrictive measurement wire. This electric pulse creates an electromagnetic wave traveling along the magnetostrictive wire. A magnet, which moves based on the changing mechanical position outside the sensor, generates a stop signal at the point where it meets the electromagnetic wave. The duration between the initial pulse signal and the stop signal contains the position information of the sensor.



1.3 Mechanical Installation

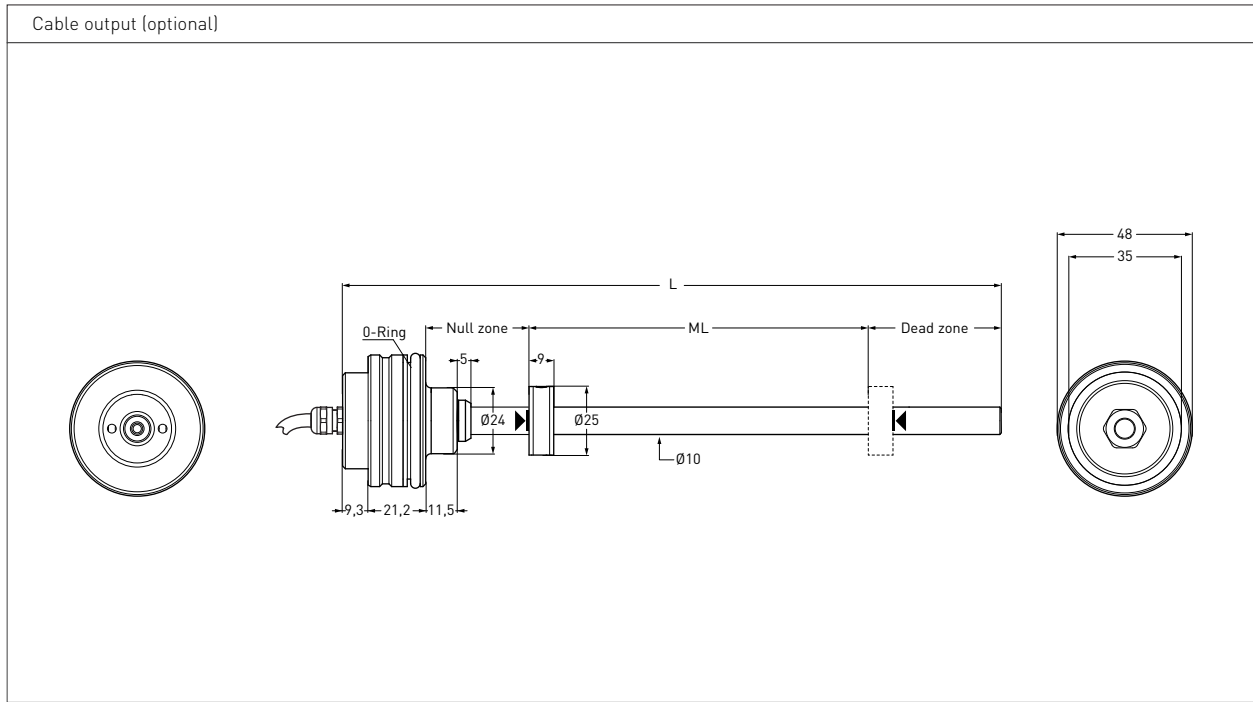
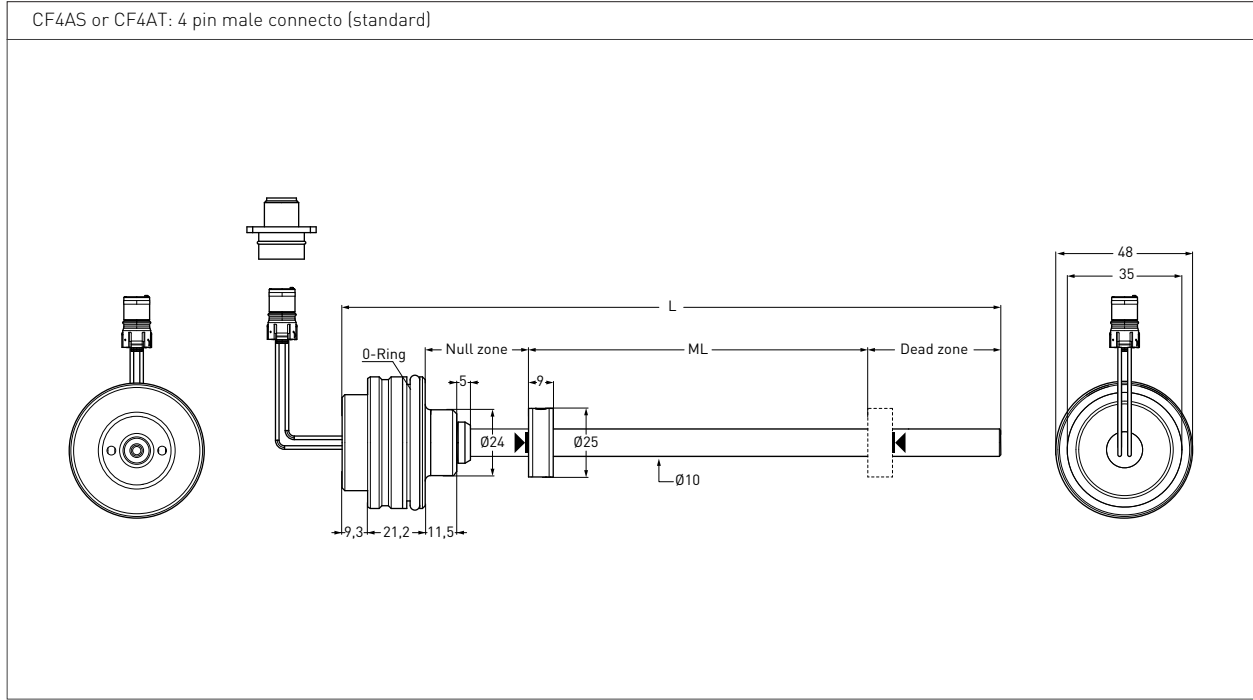


2. TECHNICAL SPECIFICATIONS



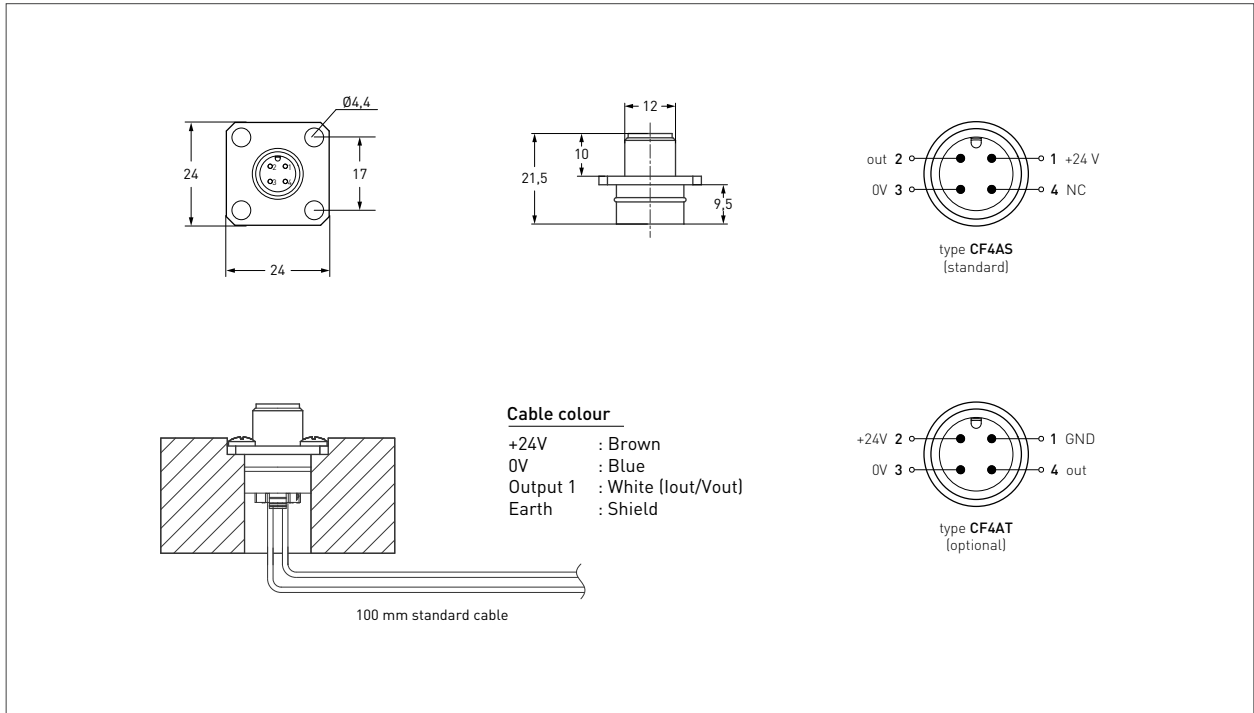
Measurement stroke	50 - 1.500 mm
Pressure rating	<500 bar
Output	0-20 mA, 20-0 mA, 4-20 mA, 20-4 mA 0-10 V, 10-0 V
Resolution	15 bit DAC output
Update time	0-600 mm, 0.5 ms 600-1.500 mm, 1 ms
Linearity	50 - 100 mm < 1 % 100 - 300 mm < 0.2 % 300 - 500 mm < 0.1 % 500 - 1.500 mm < 0.05 %
Repeatability	100 µm
Power supply	24 VDC ± 10 %
Displacement speed	max. < 5 m/s
Sampling rate	Up to 2 kHz (depending on stroke length)
Reverse polarity protection	Up to -30 VDC
Overvoltage protection	Up to +30 VDC
Max. consumption	<50 mA - 90 mA (depending on stroke length)
Max. output noise	<5 mVpp
Load resistance	max. 500 Ohm
Protection level	IP 67
Vibration	EN 60068-2-6, 5-200 Hz 200 m/s ² (20g), 2h 30min each axis {x,y,z}
Shock	EN 60068-2-2:2007 500 m/s ² (50g) 11ms {x,y,z axis}
Sealing	O-ring : NBR Backup Ring : PTFE
Mounting	M15 x 1.5 or 3/4" - 16 UNF Backup or Flat
Case material	Tube : Stainless steel AISI 316 Body : Stainless steel AISI 303 Caps : Anodized aluminium
Operating temperature	-10°C ... +70°C
Storage temperature	-30°C ... +90°C
Temperature coefficient	60 ppm / °K

3.MECHANICAL DRAWING



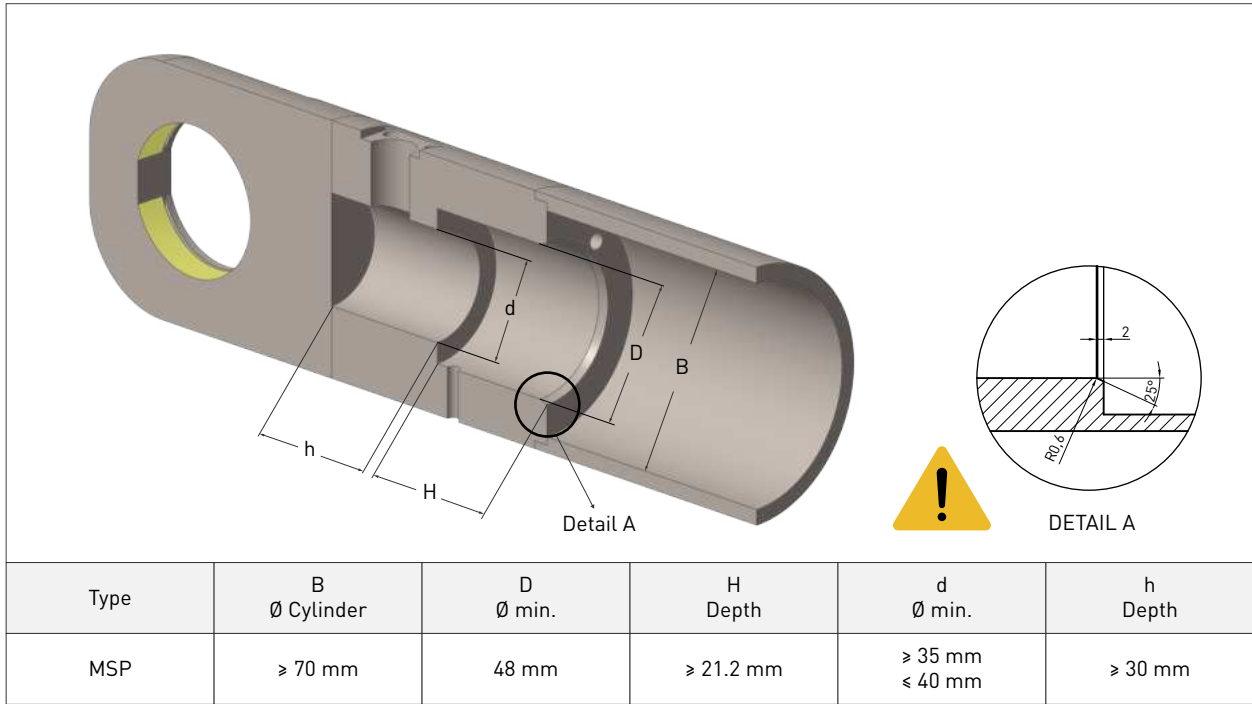
MSP (mm)	50	100	150	200	250	300	350	400	450	500	550	600	650	700	750	800	850	900	1000	1100	1200	1300	1400	1500
ML (Measuring length)	50	100	150	200	250	300	350	400	450	500	550	600	650	700	750	800	850	900	1000	1100	1200	1300	1400	1500
L (Total length)	147	197	247	297	347	397	447	497	547	597	647	697	747	797	847	897	947	997	1097	1197	1297	1397	1497	1597
Dead zone calculation	30 / 36,5																							

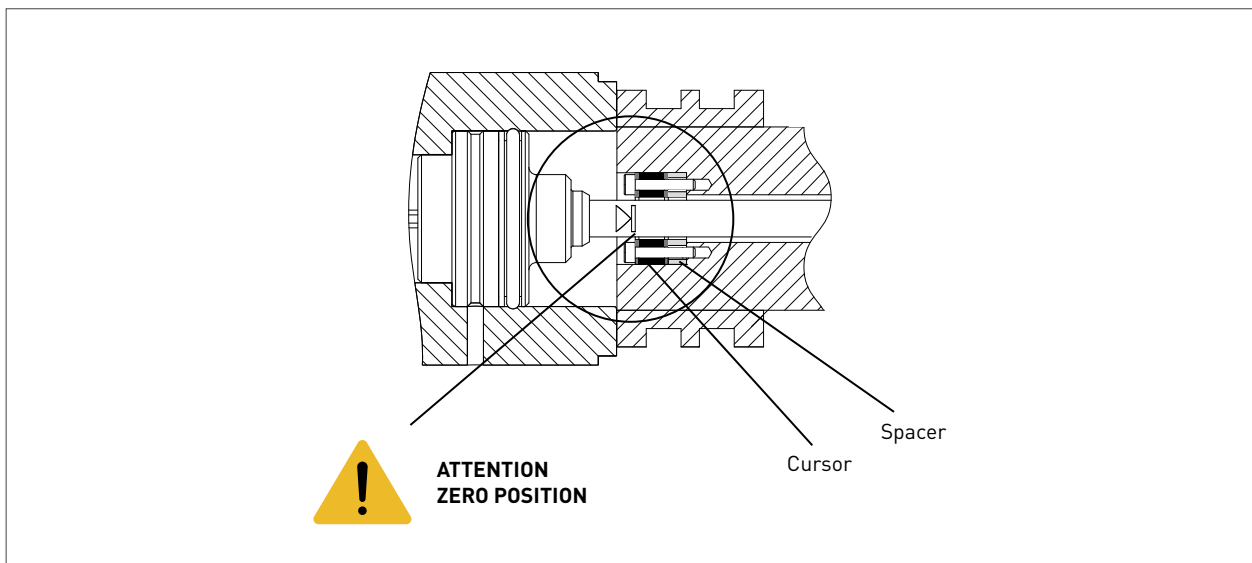
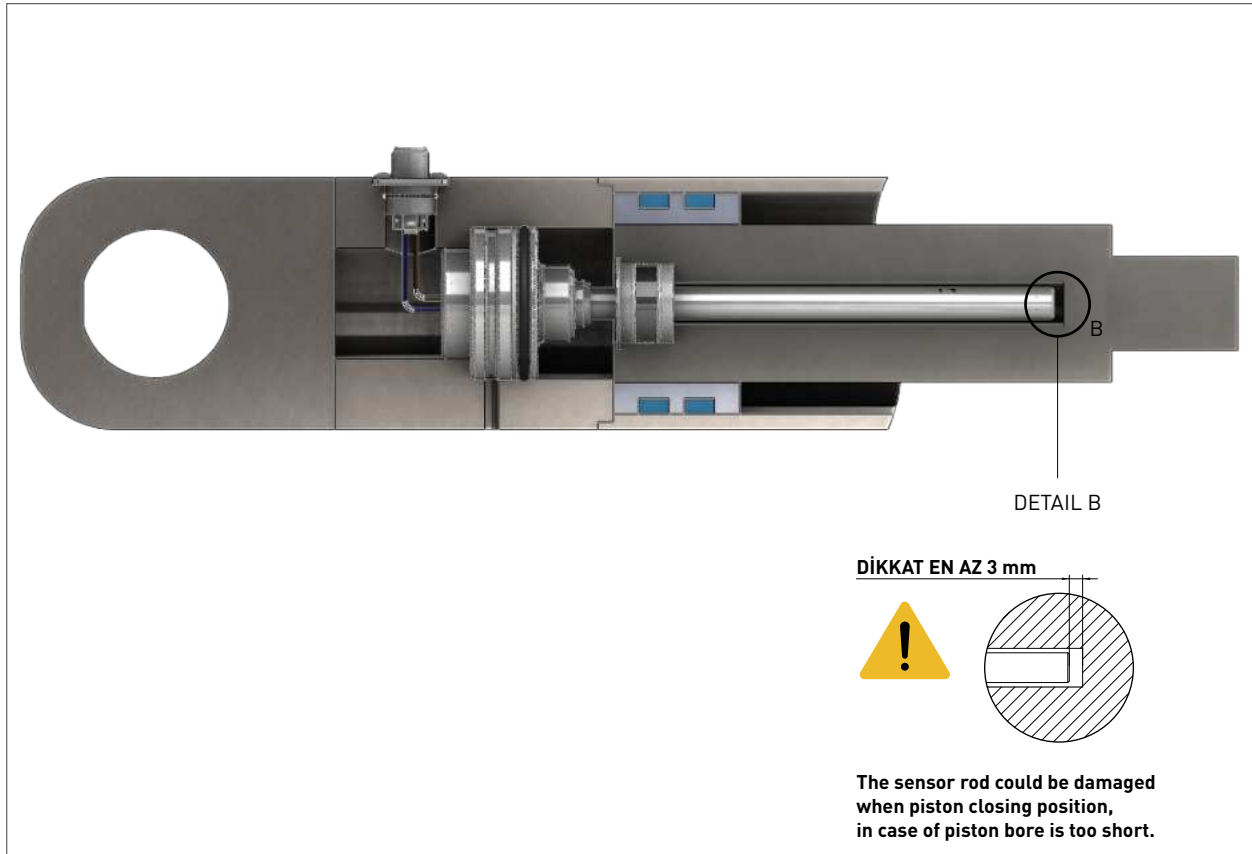
4.CONNECTORS AND CABLE



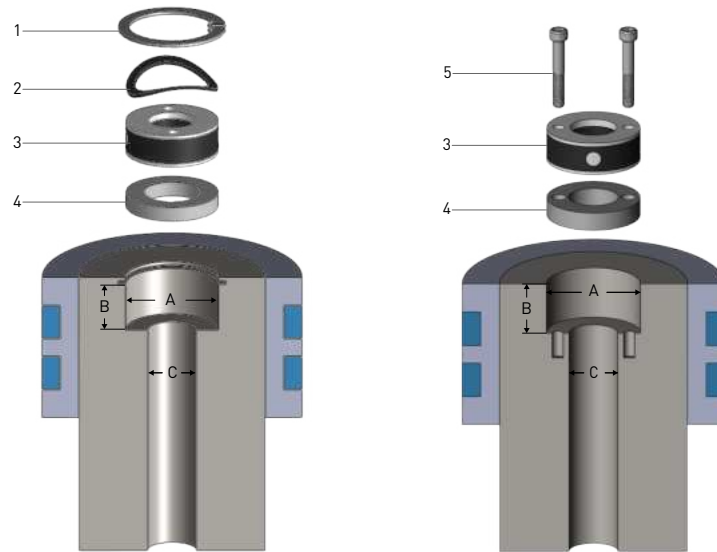
5.CURSORS AND ACCESSORIES

Cursor	Spacer	Screw
<p>R05T</p>	<p>S01</p>	<p>M3x20</p> <p>Stainless steel 316L screw</p> <p>2 units</p>
<p>R06T</p>	<p>S03</p>	<p>-</p>
<p>R10T</p>	<p>S02</p>	<p>M4x20</p> <p>Stainless steel 316L screw</p> <p>2 units</p>





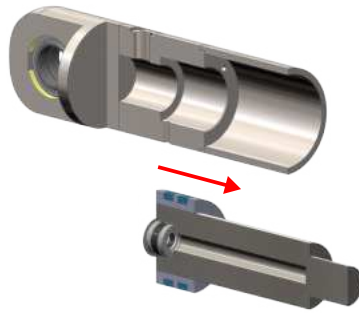
8. INSTALLING THE MAGNET



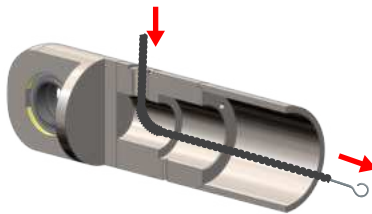
SPACER MUST BE USED!

	1	2	3	4	5	A	B	C
Non-magnetic spacer	Circlip	Corrugated washer	Cursor (R05T)	Non-magnetic spacer	-	Ø 25 mm	≥ 14 mm	Ø 10 mm rod for Ø 13 mm
Screwing	-	-	Cursor (R05T)	Non-magnetic spacer	Screw	Ø 25 mm	≥ 17 mm	Ø 10 mm rod for Ø 13 mm

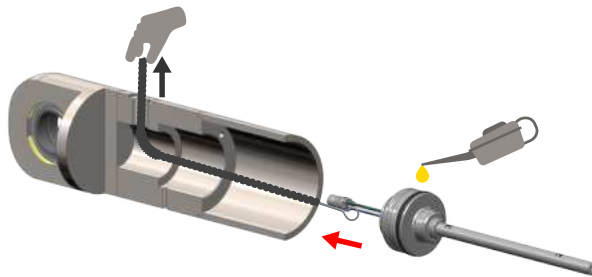
9.1



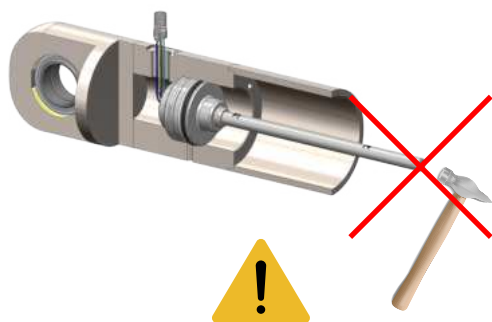
9.2



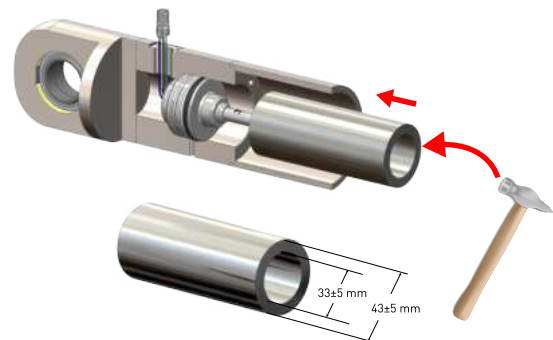
9.3



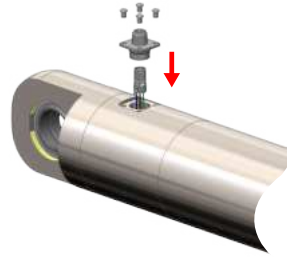
9.4



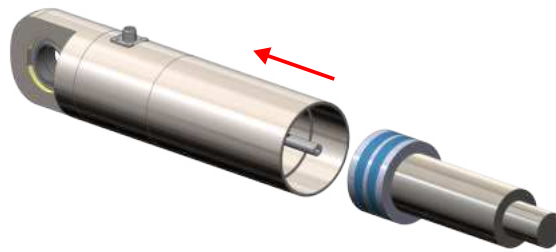
9.5



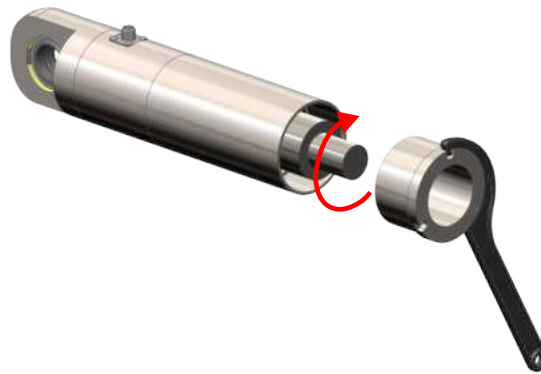
9.6



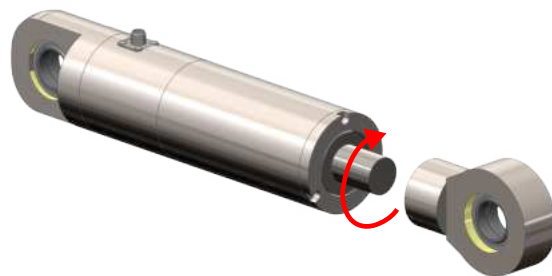
9.7



9.8



9.9



10. ORDERING PROCEDURE



1	Model MSP: Non-Contact Magnetostrictive Position Sensor In Cylinder Applications
2	Measuring range 50 - 1.500 mm
3	Rod & Thread EA0 : Ø10 tube Ø24 flange
4	Resolution B : 15 bit
5	Cursor (T- coded sensors are used with T-coded cursors) R05T : 25 mm R06T : 17.2 mm R10T : 33 mm
6	Output I40 : 4-20 mA I20 : 0-20 mA I04 : 20-4 mA I02 : 20-0 mA
7	Connector / Cable CF4AS : CF4AT : 4-pin configuration (optional). For detailed information, see section 4. CF4AT : CF4AT : 4-pin configuration (optional). For detailed information, see section 4. 1M : 1 meter cable (standard)
8	Dead zone ≤ 1.500 mm : 30 / 36,5 mm

For example:

MSP	750	EA0	B	1R05T	I40	CF4AS	30/36,5
1	2	3	4	5	6	7	8

TÜRKİYE
Headquarter, R&D, Production

OPKON Optik Elektronik Kontrol Sanayi ve Ticaret A.Ş.
Terazidere Mah. 29 Ekim Cad. No:34 Bayrampaşa / İstanbul / TÜRKİYE
Phone : +90 (212) 501 48 63
Fax : +90 (212) 501 48 83
Web : www.opkon.com.tr
E-mail : otomasyon@opkon.com.tr

GERMANY
Subsidiary

SENSORMARKET GmbH
Graeffstrasse. 5, 50823 Köln / GERMANY
Phone : +49 22159495400
Fax : +49 22159495402
Web : www.sensormarker.eu
E-mail : sales@sensormarket.eu

CHINA
Subsidiary

DANZI Sense Technology
(Shanghai) Co., LTD. Room 123 - B, F/1, No. 1000 Ziyue Road, Minhang District, 200240 Shanghai / CHINA
Hotline : 400 8050 889
Phone : 021 - 64091719
Fax : 021 - 64091713
Web : www.opkonchina.com
E-mail : marketing@opkonchina.com

opkon.com.tr

Please note: The specifications and information in this datasheet may not cover all special demands arising from specific applications. Therefore, they do not constitute a comprehensive description of the product properties. OPKON accepts no responsibility for damages resulting from the improper application of our products. The user is responsible for ensuring that the products used are suitable for their own application.