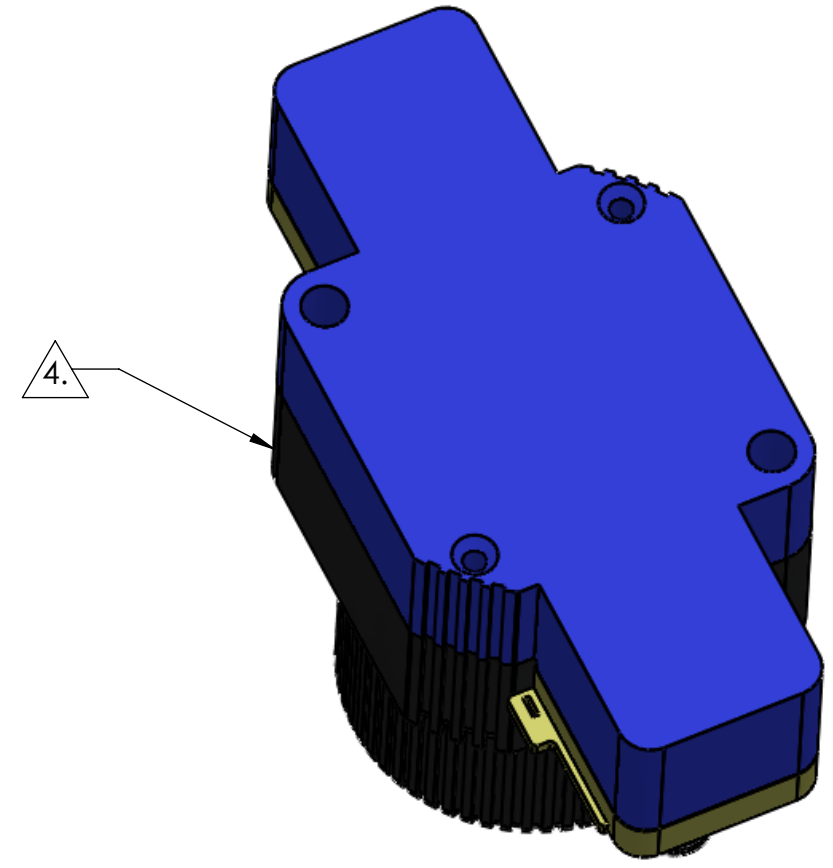
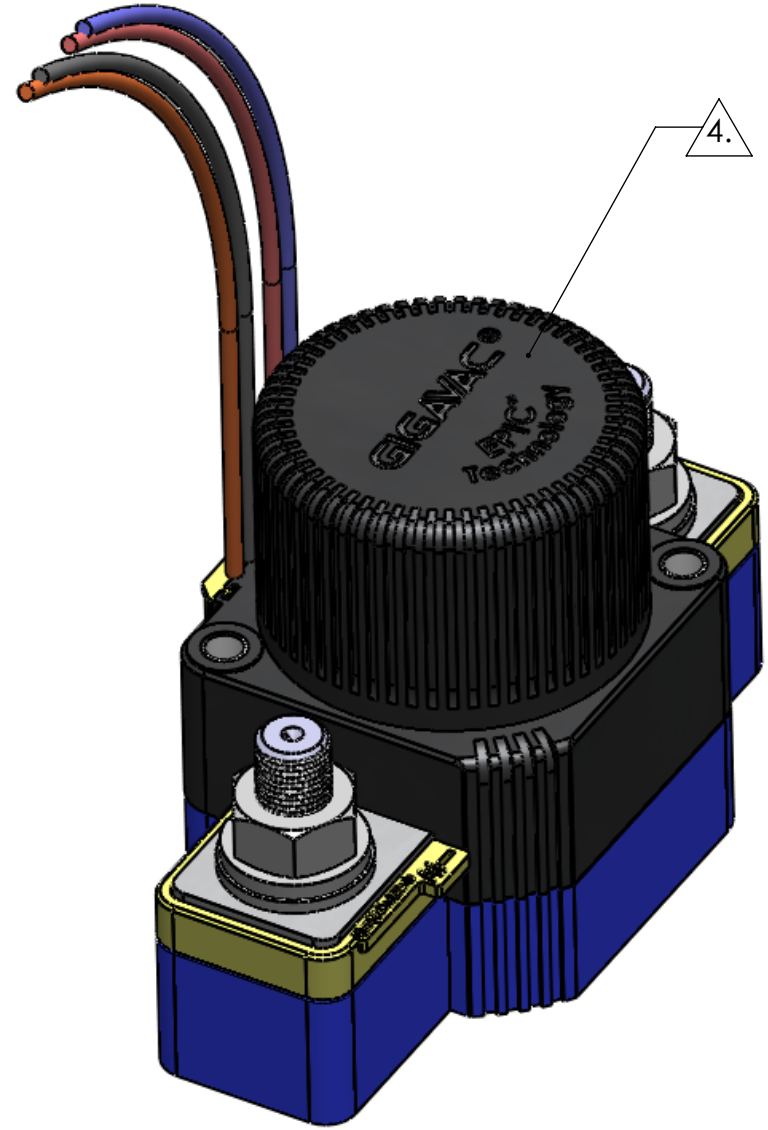


THE INFORMATION CONTAINED IN THIS DRAWING IS THE SOLE PROPERTY OF GIGAVAC LLC. ANY REPRODUCTION IN PART OR WHOLE WITHOUT THE WRITTEN PERMISSION OF GIGAVAC LLC IS PROHIBITED.

REVISIONS			
REV.	DESCRIPTION	DATE	APPROVED
1	DESIGN REVIEW	12/29/2008	I.FACCHINI
2	DESIGN CHANGE	11/12/2009	I.FACCHINI
3	ADD DETAIL VIEWS. ADD NOTES.	8/22/2013	R.ULRICH
4	UPDATED PLASTITE COUNTERSINK TO 82 DEG, ADDED .010 CLEARANCE	10/09/2013	D.C.S

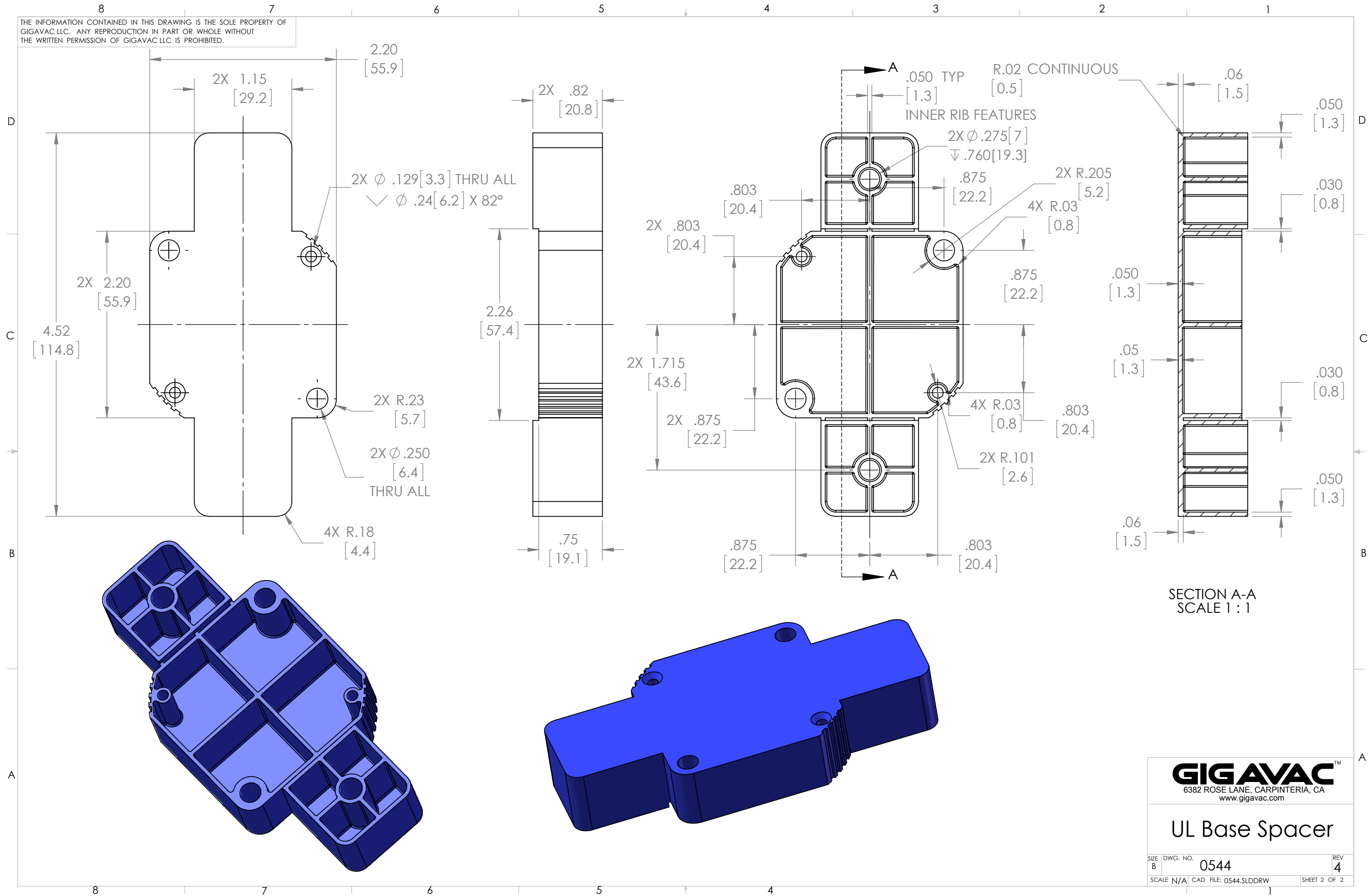
- NOTES:
1. MATERIAL: DUPONT ZYTEL FR50 (25% GLASS FILLED NYLON), COLOR BLACK.  
MATERIAL CERTIFICATION REQUIRED WITH ALL SHIPMENTS.
  2. DRAFT 0.5° ON INTERIOR SURFACES, 1° ON EXTERIOR SURFACES OK
  3. SEE 3D STEP FILE FOR UNDIMENSIONED FEATURES

4. GX14 SHOWN FOR REFERENCE

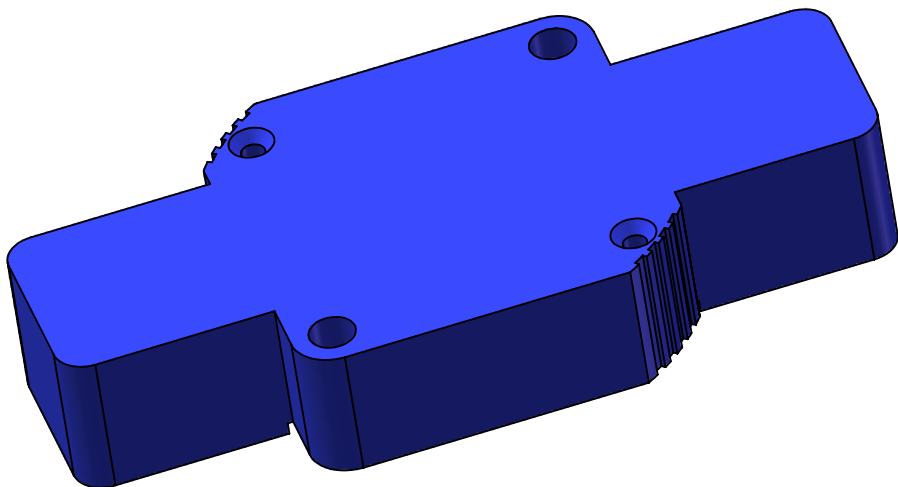
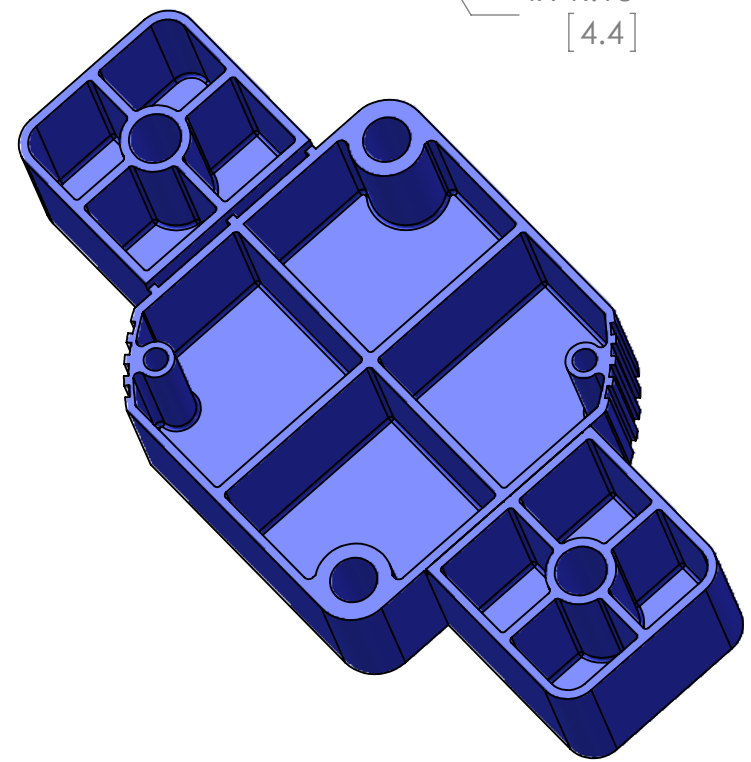


UNLESS OTHERWISE SPECIFIED DIMENSIONS ARE IN INCHES TOLERANCES ARE: .X ±.05 .XX ±.01 .XXX ±.005 .XXXX ±.0005		CAD GENERATED DRAWING, DO NOT MANUALLY UPDATE		 6382 ROSE LANE, CARPINTERIA, CA www.gigavac.com	
TOLERANCES ARE: $\angle \pm .5^\circ$ $\nabla$ SEE NOTES		APPROVALS DRAWN I.FACCHINI CHECKED RESP ENG MFG ENG QUAL ENG			
MATERIAL SEE NOTES		DO NOT SCALE DRAWING		DWG. NO. 0544 SCALE N/A CAD FILE: 0544.SLDDRW	
				REV 4 SHEET 1 OF 2	

THE INFORMATION CONTAINED IN THIS DRAWING IS THE SOLE PROPERTY OF GIGAVAC LLC. ANY REPRODUCTION IN PART OR WHOLE WITHOUT THE WRITTEN PERMISSION OF GIGAVAC LLC IS PROHIBITED.



SECTION A-A  
SCALE 1:1



**GIGAVAC™**  
6382 ROSE LANE, CARPINTERIA, CA  
www.gigavac.com

UL Base Spacer

SIZE	DWG. NO.	REV
B	0544	4
SCALE N/A CAD FILE: 0544.SLDDRW		SHEET 2 OF 2