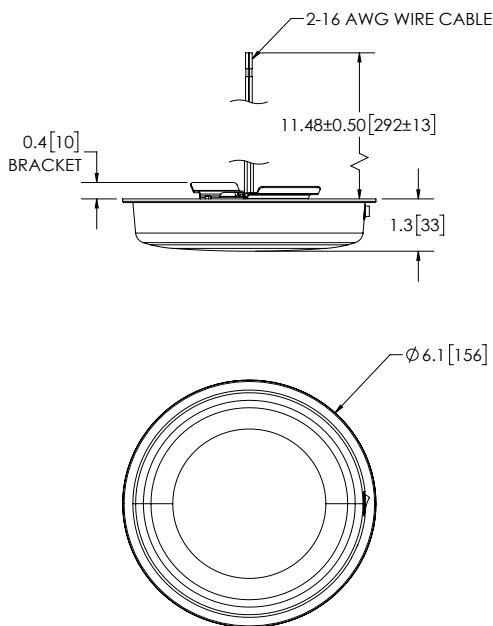


## ANTIMICROBIAL DOME LIGHT WITH VYV™



The Antimicrobial Dome Light provides effective interior lighting and the blue LED light kills<sup>1</sup> viruses, bacteria, fungi, yeasts, mold, and SARS-CoV-2<sup>2</sup>. The LED dome light uses blue LED light technology that is safe for continuous human and animal exposure, when used as directed. This light is easy to install in emergency vehicles and ideal for police, fire, and EMS applications.



|              |  |
|--------------|--|
| VOLTS   AMPS | 12-24V   1.08A                                 |
| DIMS         | 1.3" H x 6" Diameter   33mm H x 152mm Diameter |
| CERTS        | EPA, R10, RCM, ROHS, IEC                       |

|         |   |
|---------|---|
| DETAILS | <ul style="list-style-type: none"> <li>• Features a tough polycarbonate lens and easy installation</li> <li>• Vyv technology kills<sup>1</sup> viruses, bacteria, fungi, yeasts, mold and SARS-CoV-2<sup>2</sup></li> <li>• Creates an inhospitable environment that prevents the growth of bacteria or microbes</li> <li>• Fits in a standard 6.0" mount</li> <li>• For optimal antimicrobial capability, replace all compartment lighting fixtures with Antimicrobial Dome Light devices for continuous operation</li> <li>• Internationally certified by IEC 62471</li> <li>• EPA Est. No.: 98595-TWN-001</li> </ul> |
|---------|---|

| MODEL      | CONNECTOR  | ILLUMINATION COLORS |
|------------|------------|---------------------|
| DLC-LED-VV | Bare leads | W, B                |

<sup>1</sup> Testing on a non-enveloped virus (MS2 bacteriophage) showed a 97.12% reduction in controlled laboratory testing in 8 hours on hard surfaces. Testing on SARS-CoV-2 (enveloped virus) showed a 96.76% reduction in controlled laboratory testing in 8 hours on hard surfaces. Testing on MRSA and E. coli showed 90%+ reduction in controlled laboratory testing in 24 hours on hard surfaces. <sup>2</sup> Testing on SARS-CoV-2 (enveloped virus) showed a 98.45% reduction in controlled laboratory testing in 4 hours on hard surfaces. <sup>1,2</sup> Results may vary depending on the amount of light that is reaching the surfaces in the space where the product is installed and the length of time of exposure. Use of Vyv antimicrobial light is not intended to replace manual cleaning and disinfection practices.