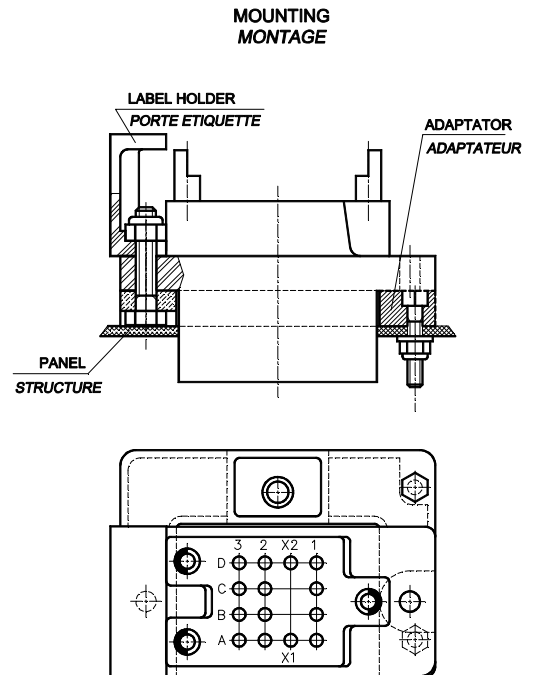
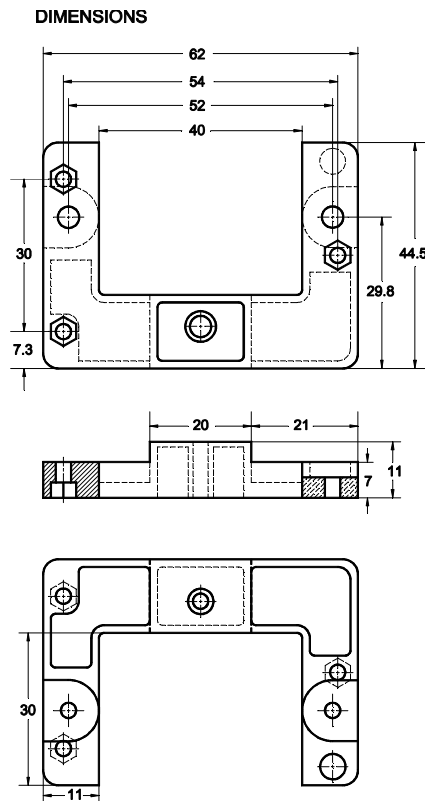


Basic socket series designation for:
SF400-1F, SF-402-1F et SF600-1F



Dimensions in mm
Tolerances, unless otherwise specified, $\pm 0.12\text{mm}$

GENERAL CHARACTERISTICS CARACTERISTIQUES GENERALES

Material <i>Matière</i>	Lexan.
Weight <i>Poids</i>	12.5g max.

AMERICAS.

Tel: +1 714-736-7599
<http://www.esterline.com/powersystems>

EUROPE.

Tel: +33 3 87 97 31 01
Fax: +33 3 87 97 96 86

ASIA

Tel: +852 2 191 3830
Fax: +852 2 389 5803