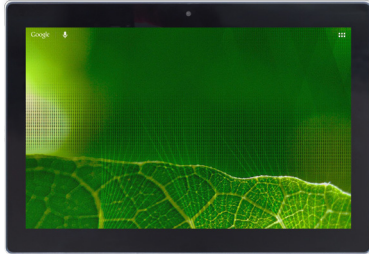


# M1016

## 10.1" Healthcare Infotainment Terminal



System	
CPU	ARM Quad-Core Cortex-A35 1.5GHz (SoC)
GPU	Mali-G31 MP2
Memory	2GB DDR4 memory soldered on board
Storage	16GB eMMC Flash soldered on board
Peripherals and Devices	
Camera	2MP front-facing camera
WLAN & Bluetooth	1 x WLAN 802.11 a/b/g/n & Bluetooth 4.0 + BLE
RFID & NFC	1 x 13.56MHz RFID & NFC reader with ISO 14443A/14443B/15693 support (optional)
I/O Interface	
SD Card	1 x microSDHC/microSD card socket (hidden) (Max. 32GB)
Audio	1 x 3W stereo speaker 1 x 3.5mm earphone jack 1 x built-in microphone
LAN	1 x RJ-45 10/100M with PoE PD support
USB Port	2 x USB 2.0 Type-A port 1 x OTG micro-USB 2.0 (hidden)
Button & Indicator	
Button	1 x Power on/off button 2 x Volume up/down buttons 1 x Reset button (hidden)
LED	Green: DC Jack Orange: PoE
Touch Screen	
Type	10-point Projected Capacitive Multi-Touch
LCD Display	
Size/Type	10.1" TFT, MIPI type
Max. Resolution	1280 x 800 (WXGA)
Contrast Ratio	800:1 (typ.)
Backlight Type	LED
Brightness	250 nits
View Angle (U/D/R/L)	85°/85°/85°/85° (typ.)
Video Streaming	
UDP Streaming	Support multicast UDP stream decode
RTSP Streaming	Support RTSP stream decode
HLS Streaming	Support HLS stream

### Features

- Quad-Core ARM Cortex-A35 CPU 1.5G Hz, Android-based
- Bedside infotainment and medical thin-client application
- 10.1" LCD display
- 10-point Projected Capacitive Multi-Touch
- Support Android 8.1
- H.265/HEVC Video Decode
- IEC & EN 60601-1 (Edition 3.1) and IEC & EN 60601-1-2 (Edition 4th) certified
- PoE connectivity (PD)
- Operating temperature: 0~40°C

### Power Requirement

Power Input	PoE input or Power adaptor input
Adapter Input	100 ~ 240 VAC (full range)
Adapter Output	DC 12V, 2.5A

### Mechanical & Environmental

Operating Temp.	0 ~ 40°C (32 ~ 104°F)
Storage Temp.	-20 ~ 60°C (-4 ~ 140°F)
Operating Humidity	10 ~ 80 % @ 40°C (non-condensing)
Dimensions	248.5 mm x 174.5mm x 23.8 mm (9.78" x 6.87" x 0.94")
Net Weight	623g (1.38lb)
Vibration	1 Grms/ 5 ~ 500Hz/ random operation
Shock	10G/ peak (11ms)
Mounting	VESA-75 compatible
IP Rating	Compliance design with IP65 (front touch panel)
Operational Altitude	Below 2000m
Regulatory	CE, FCC Part 15 Subpart C IEC & EN 60601-1 Safety (Edition 3.1), IEC & EN 60601-1-2 EMC (Edition 4th)

### OS Support

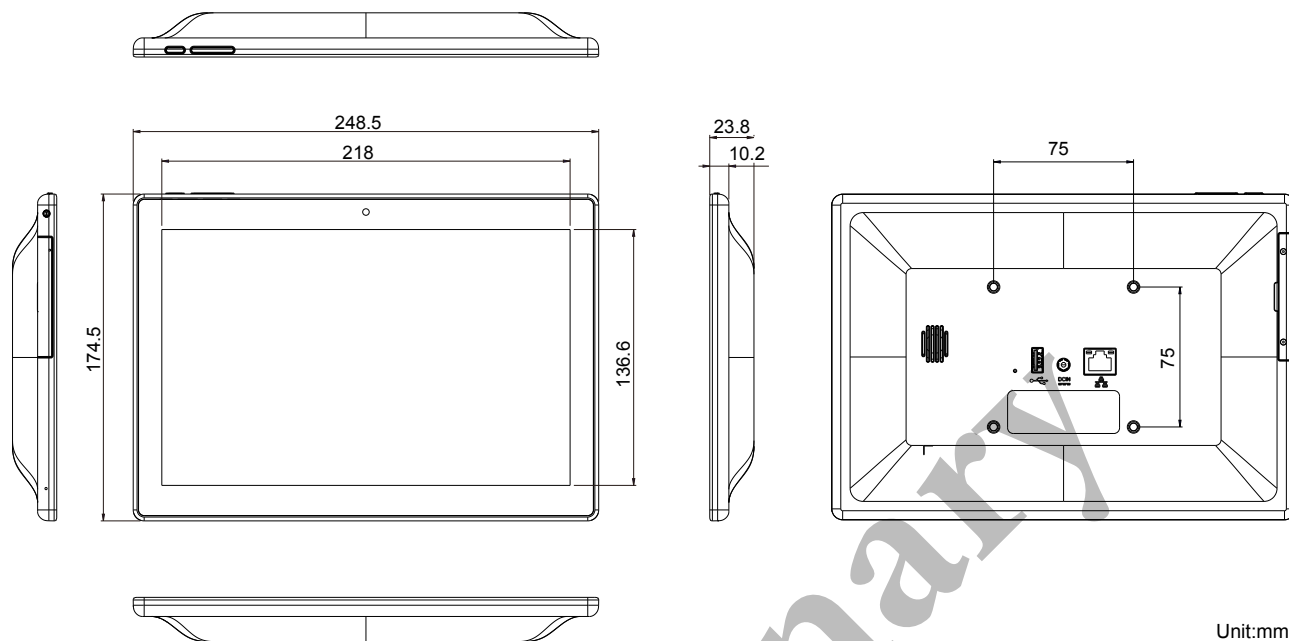
Android™ 8.1, Linux Debian

### Ordering Information

M1016	10.1" terminal with projected capacitive touchscreen, Wi-Fi and front camera
-------	--



## Dimensions



Unit:mm

### Optional Accessories

PAC-M025W

25W medical-grade AC/DC adapter kit



### Optional Configuration (CTOS\* Kit) (Not Sold Separately)

RFID & NFC-1014

RFID & NFC module kit



\*CTOS means Configure-to-Order Service. BTO means Build-to-Order.