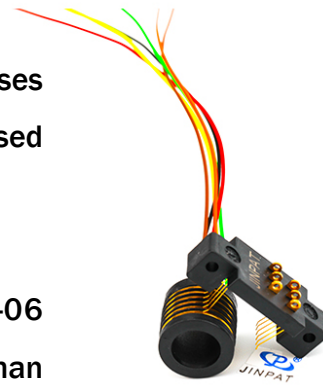


LPS-06A-Rotor LPS-06B- Stator Separate Slip Ring

The LPS-06 separate slip ring is a standard, off-the-shelf unit that uses gold contacts at the rotary interface. Color-coded lead wires are used on both the stator and rotor for simplifying electrical connections.

Using a 90° V-groove ring design for each ring, the LPS-06 provides smoother running, lower torque and lower electrical noise than competitive slip rings.



Specifications

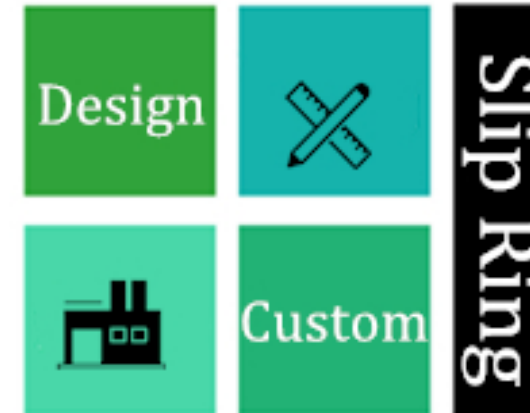
Operating Speed	0-100 rpm
Number of Circuits	6
Voltage	240 VAC/DC
Current Rating	2A
Temperature Range	-20°C to +60°C
Contact Material	Gold to Gold
Lead Size	28 # silver plated copper
Lead Length	Standard 250 mm (9.843inch)
Dielectric Strength	≥500 VAC @50Hz, between each circuit
Insulation Resistance	1000 MΩ @ 500 VDC
Electrical Noise	1mΩMin

Capsule Length

# of Circuits	L (mm)	Part No
6	Φ14.73	LPS-06

- ◆ The operating life of the unit depends upon temperature, rotation speed and environment.
- ◆ The operating life ≥50,000,000 runs ref.

Features



- ✓ 6 circuits models
- ✓ Speed up to 300 rpm continuous
- ✓ Gold-Gold contacts
- ✓ 250mm standard lead length
- ✓ Compatible with data bus protocols
- ✓ Sealed units are available
- ✓ Flexible, color-coded, silver-plated, lead wires
- ✓ Precision ball bearings meet or exceed life requirements for most commercial applications



TEMPERATURE RANGE
-20° C to 60° C



MAXIMUM OPERATING SPEED
0-100 RPM

Applications

- ✓ Electrical test equipment
- ✓ Manufacturing and process control equipment
- ✓ Indexing tables and CTV pan / tilt camera mounts
- ✓ Robotics, rotary sensors, urgent illumination equipment
- ✓ Exhibit / display equipment / Medical equipment
- ✓ Aviation ,military ,instrument
- ✓ Mini-type wire-rolling machine
- ✓ Custom Machinery / OEM Machinery

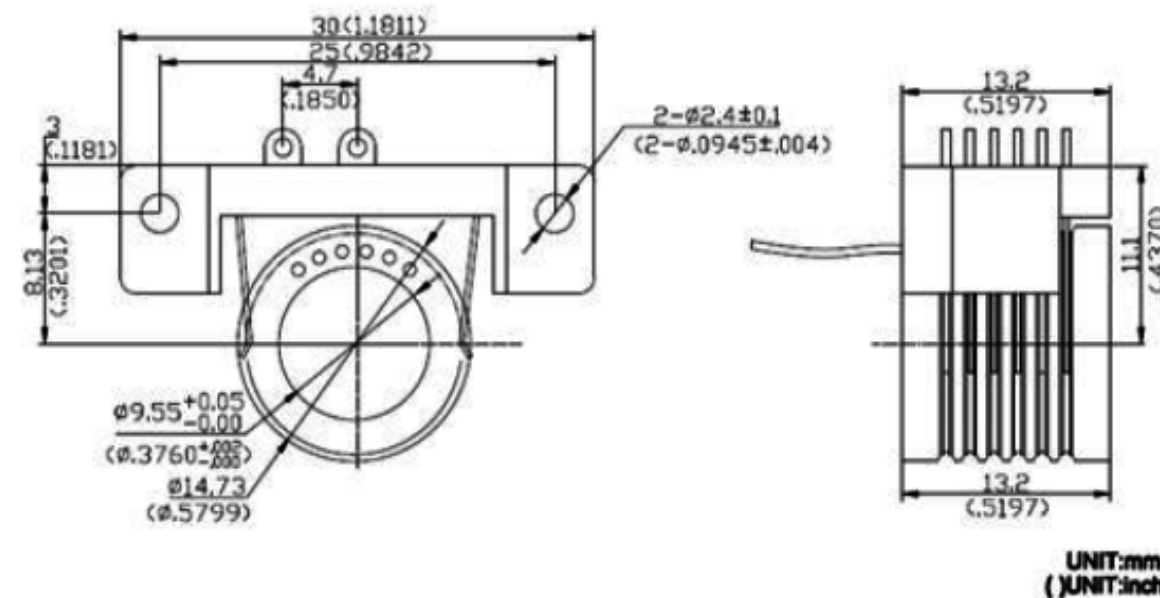


Advantage



- ✓ Low torque minimizes system torque budget
- ✓ Compact design to fit in the most demanding space
- ✓ Smooth running
- ✓ Low electrical noise
- ✓ Prompt shipment per your urgent requirement
- ✓ 360°continuous rotation
- ✓ High bandwidth transfer capability
- ✓ Addition of special components
- ✓ Working Humidity is 60%RH or higher
- ✓ Body material using precious metal

Drawings



MESSAGE

Any questions about slip ring, please leave your message to get a professional solution

PRODUCT CATEGORY

FORJ
 Capsule slip ring
 Through bore slip ring
 Pancake slip ring
 Mercury slip ring
 Separate slip ring
 Miniature slip ring
 Wind turbine slip ring
 Hydraulic slip ring
 Pneumatic slip ring
 Coaxial rotary joints

REQUESTS

Circuits
 Current&voltage
 Signal details
 Dimension
 Working speed
 Working temperature
 Operating
 Environment
 Other

INDUSTRIES

Surveillance
 Crane
 Medical
 Marine
 Defence
 Radar antenna
 Automation
 Meter and instrument
 Wind turbine generator
 VR Device
 Other

Wire Color Code

Wire Size	Ring #	Color	Ring #	Color	Ring #	Color	Ring #	Color
AWG28 silver plated copper Teflon UL	#1	BLK	#2	BRN	#3	RED	#4	ORG
	#5	YEL	#6	GRN	#7	BLK-BLU	#8	PUR
	#9	GRAY	#10	WIT	#11	PINK	#12	AZURY
	#13	WIT/BLK	#14	WIT/BRN	#15	WIT/RED	#16	WIT/ORG
	#17	WIT/YET	#18	WIT/GRN	#19	WIT/BLU	#20	WIT/PUR
	#21	WIT/GRAY	#22	CLAR	#23	BLK-RED	#24	BLK/BRN

Remarks: 1. AWG28# silver plated copper Teflon UL, 24 different color single wires for a circle
 2. #1 from rotor side (The color if the wire can be changed).

Contact us on wire color codes



Send