

ROTARY POTENTIOMETER

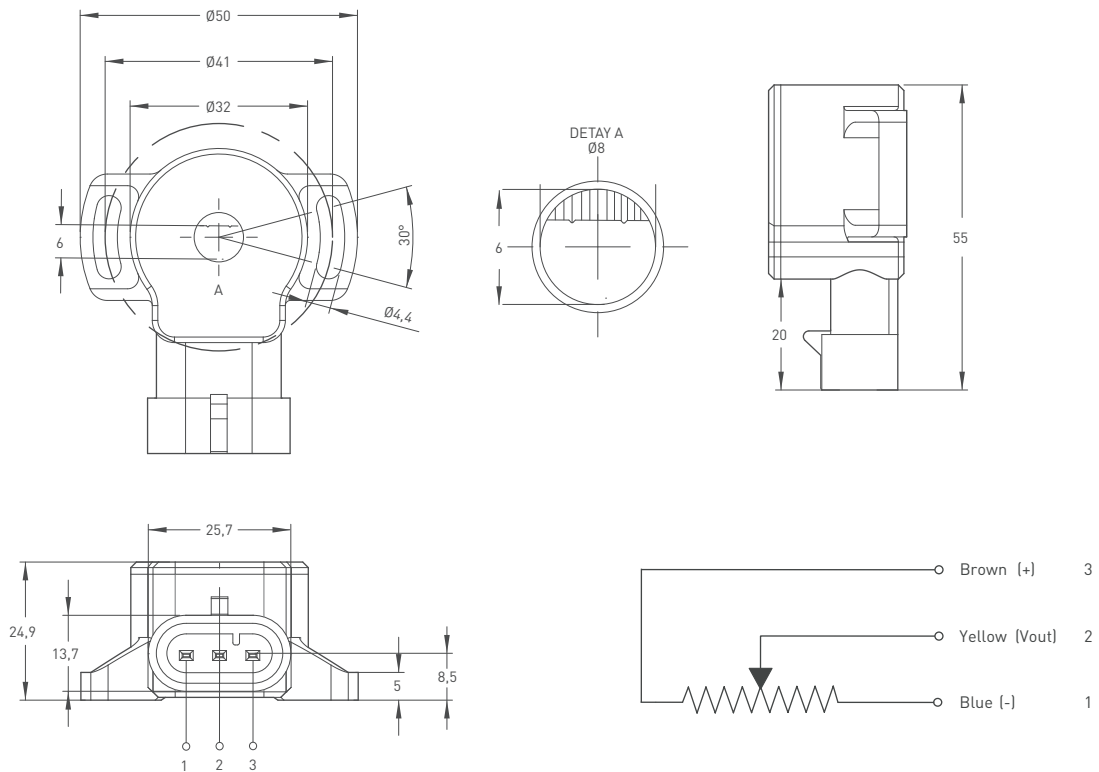
- Measuring angle $345^\circ \pm 2^\circ$
- 50 million movement
- Double bearings
- Independent linearity %0,5
- 2K, 5K or 10K



Technical Specifications

Measurement angle	$345^\circ \pm 2^\circ$
Linearity	%0,5
Resolution	Infinite
Resistance	2 kOhm, 5 kOhm or 10 kOhm
Resistance tolerance	$\pm \%20$
Load resistance	100 kOhm min.
Recommended cursor current	$<1 \mu A$
Power supply	24 VDC max.
Electrical connetions	Connector output
Mechanical life	50 million movement
Case dimensions	$\varnothing 32$ mm
Case material	Plastic
Rod diameter	$\varnothing 6$ mm
Protection level	IP 54
Operating temperature	$-20^\circ C \dots +80^\circ C$
Stroge temperature	$-30^\circ C \dots +90^\circ C$

Mechanical Specifications



Ordering Procedure

Model	Case diameter	Case type	Rod diameter	Linearity [%]	Resistance
RPW	32	F	SH	A	5K
RPW	32	F: Flange	SH: 6 mm	A: %0,5	2K : 5 kOhm 5K : 5 kOhm 10K : 10 kOhm