

Linear Potentiometer

Internal Voltage / Current Conditioner Circuit

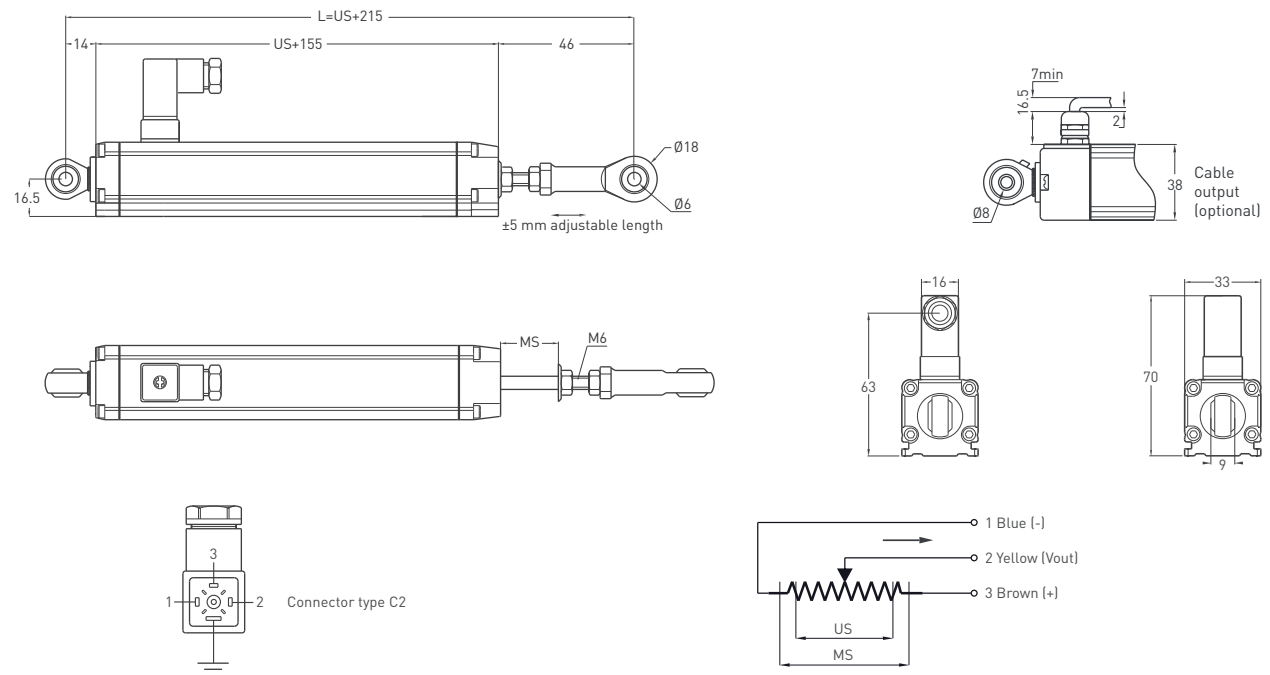
- Measuring range 50 - 600 mm
- Internal electronic circuit
- 4-20mA, 0-20mA, 0-10V output
- <0.01 mm repeatability



Technical Specifications

Measurement stroke	50 - 600 mm
Linearity	±%0.5 (≤75 mm), ±%0.2 (100-125 mm) ±%0.1(130-225 mm), ±%0.05 (≥250 mm)
Repeatability	< 0.01 mm
Resolution	Infinite
Output	4-20mA, 0-20mA, 0-10V, 20-4mA, 20-0mA, 10-0V
Permissible applied voltage	15 - 30 VDC
Electrical connections	4 pin connector
Displacement speed	< 5 m/s
Mechanical life	100 million movement
Case dimensions	33 mm x 33 mm
Case material	Anodized aluminium
Rod material	Stainless steel
Rod diameter	Ø6 mm
Mechanical fixing	Ball joints on the both sides
Protection level	IP 65
Operating temperature	-20°C ... +80°C
Storage temperature	-30°C ... +90°C

Mechanical Specifications



ERTM(mm)	50	75	100	125	130	150	175	200	225	250	275	300	325	350	375	400	450	500	550	600
US (Usefull stroke)	50	75	100	125	130	150	175	200	225	250	275	300	325	350	375	400	450	500	550	600
MS (Mechanical stroke)	53	78	103	128	133	153	178	203	228	253	278	303	328	353	378	403	453	503	553	603
L (Total stroke)	265	290	315	340	345	365	390	415	440	465	490	515	540	565	590	615	665	715	765	818

Ordering Procedure

Model	Measurement stroke (mm)	Linearity (%)	Output	Connector
ERTM	500	D	V10	CH2
ERTM	50 - 600 mm	A: ±%0.5 (≤75 mm), B: ±%0.2 (100 - 125 mm), C: ±%0.1 (130 - 225 mm), D: ±%0.05 (≥250 mm)	I40 : 4-20mA V10 : 0-10V I04 : 20-4mA V01 : 10-0V I20 : 0-20mA I02 : 20-0mA	CH2 : 4 pin connector

Please note: The specifications and information in this datasheet may not cover all special demands arising from specific applications. Therefore, they do not constitute a comprehensive description of the product properties. OPKON accepts no responsibility for damages resulting from the improper application of our products. The user is responsible for ensuring that the products used are suitable for their own application.